



# STEELER

**SOKÓŁKA**

***www.steeler.pl***

## NISSAN QASHQAI



## FITTING INSTRUCTION

(Side bullbar)

QUAN-R0076-PR-01

QUAN-R0076-PR-02

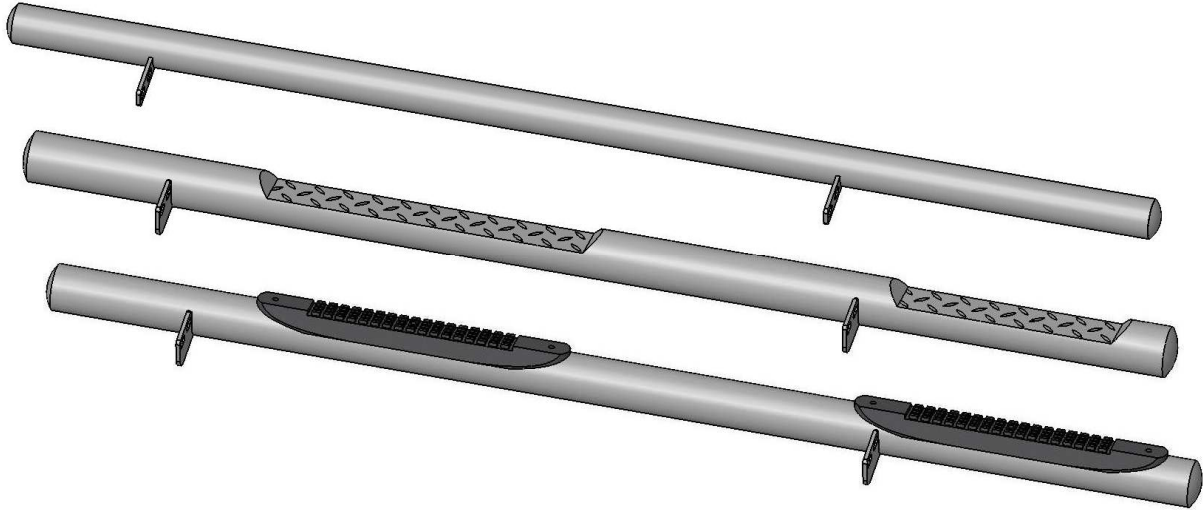
QUAN-R0048-R



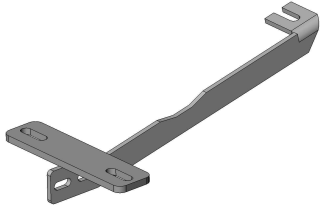
Bullbar with homologation „e”

## Specification of full assembly (right side):

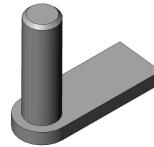
- 1. Side step / Step with chamfer /  
Step with plastic sill (2 pcs.) Left + Right**



- 2. Attachment I (4 pcs.)  
Left + Right**



- 3. Skewer M10x30 (8 pcs.)**



## Connecting components:

### ***Screws:***

M8x25-12 pcs.  
M10x30- 8 pcs.(skewer)

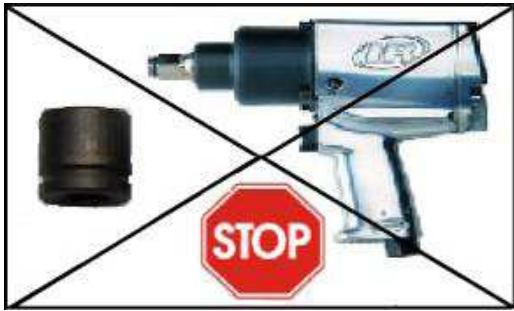
### ***Nuts:***

M8- 8 pcs.  
M10- 8 pcs.

### ***Washers:***

Ø8,5- 20 pcs. (large washer)  
Ø11- 8 pcs. (large washer)





Fitting time



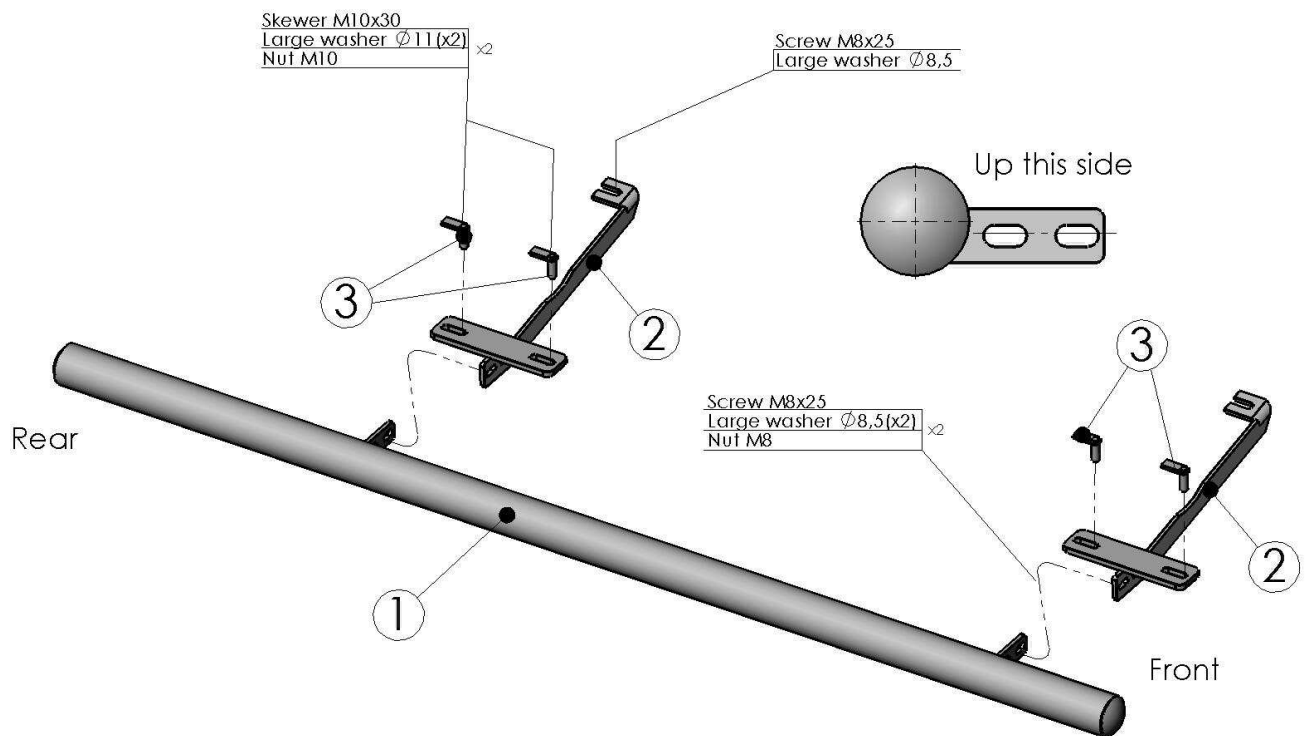
1 h

**ATTENTION:** *Foil remove after fitting !*

### Bullbar fitting:

(Fitting of left step must be done in mirror reflection)

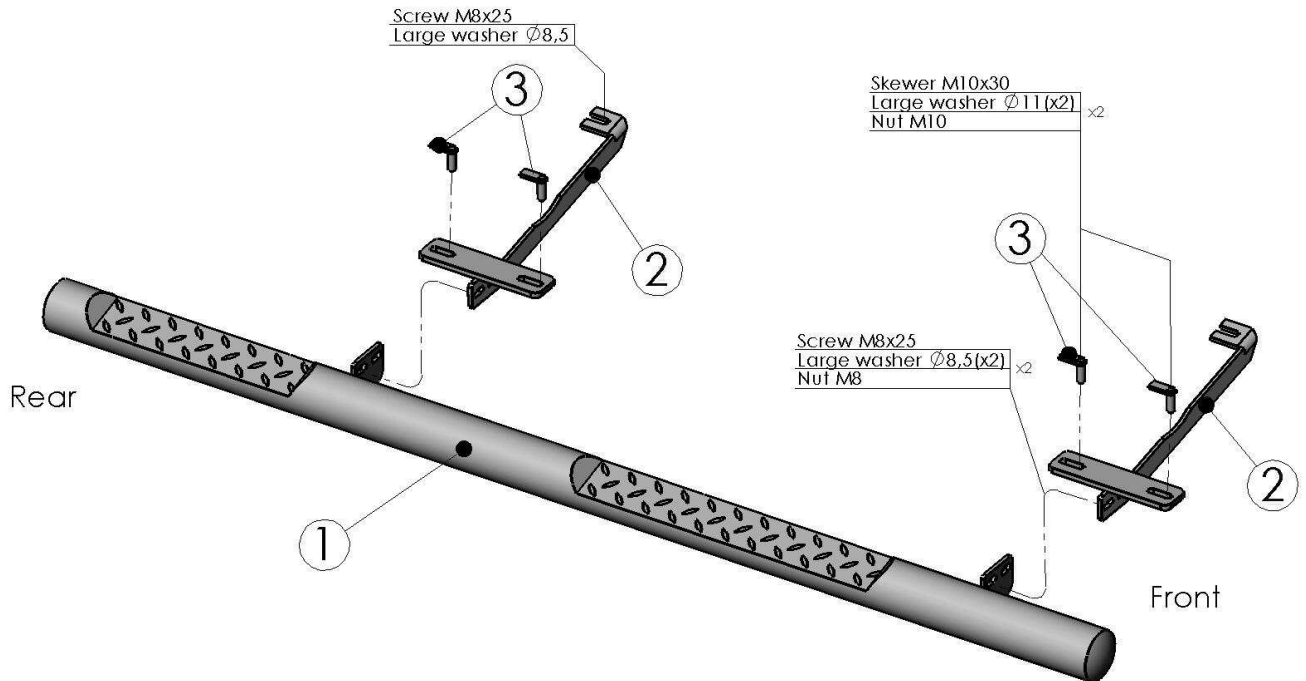
QUAN-R0048-R



## Bullbar fitting:

(Fitting of left step must be done in mirror reflection)

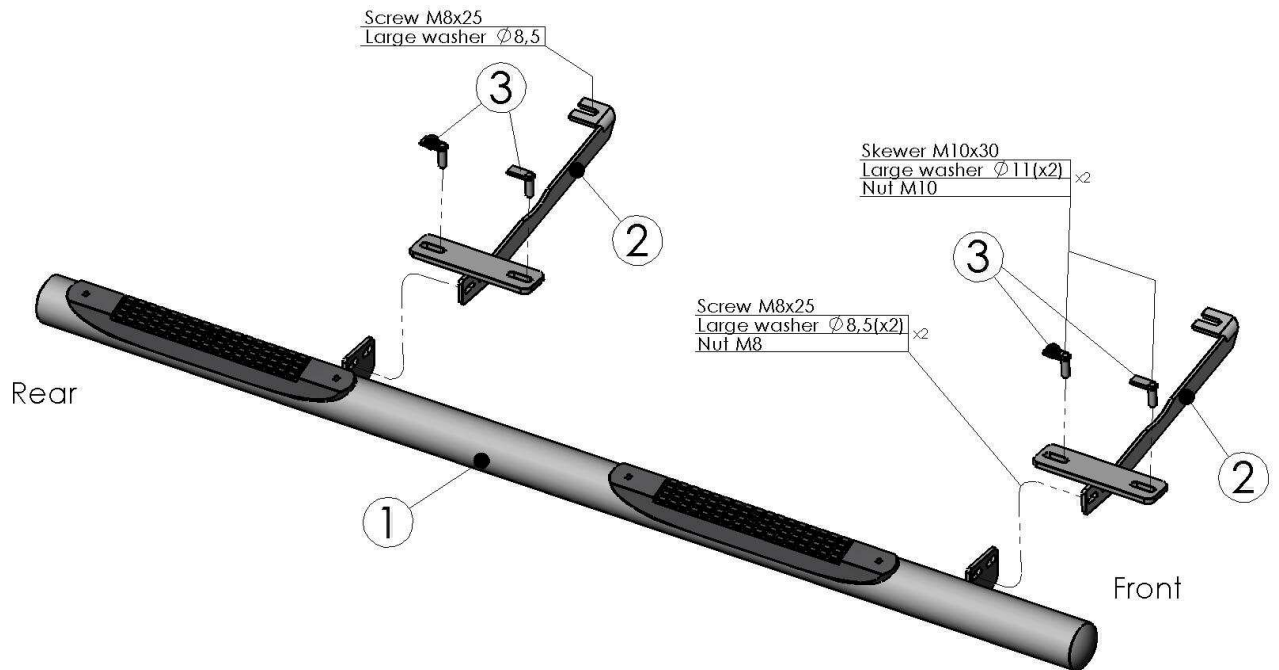
QUAN-R0076-PR-01

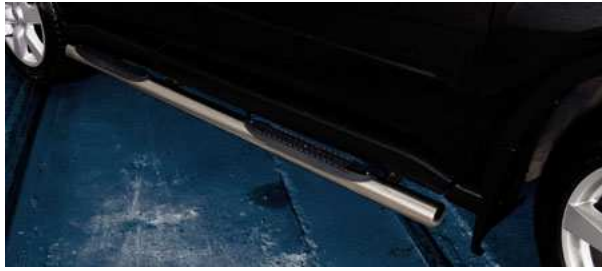


## Bullbar fitting:

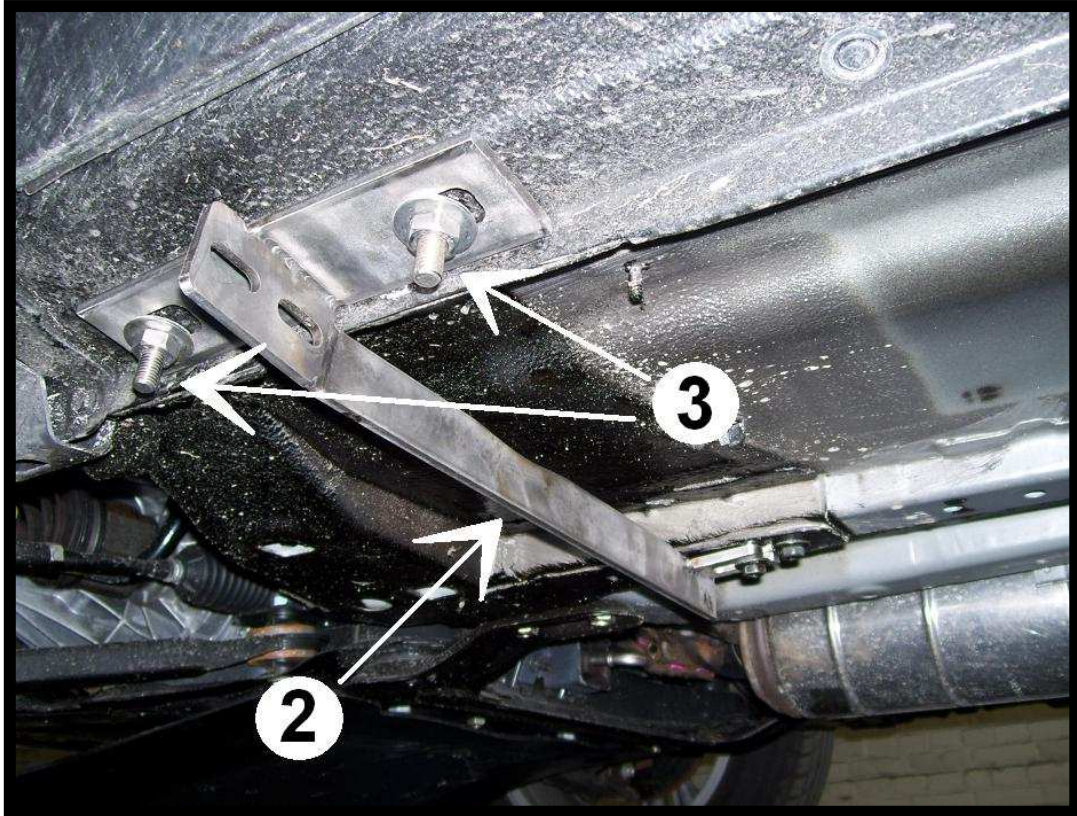
(Fitting of left step must be done in mirror reflection)

QUAN-R0076-PR-02





*Front attachments:*



*Rear attachments:*

