



STEELER

SOKÓŁKA

www.steeler.pl

NISSAN QASHQAI



FITTING INSTRUCTION

(Side bullbar – step with metal plate)

QUA+2-R0076-PR

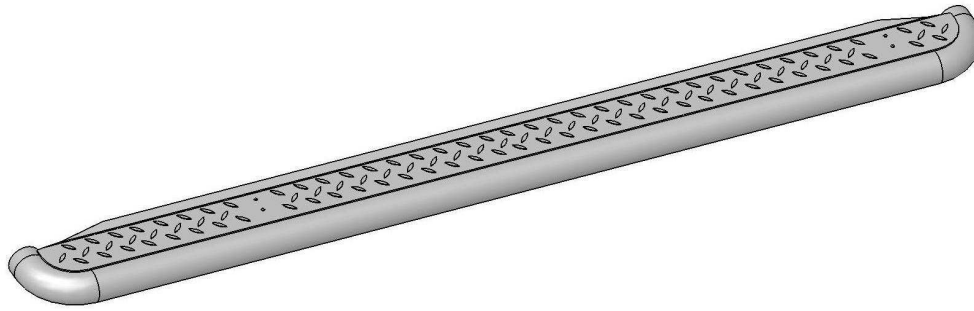
QUAN+2-R0076-PR



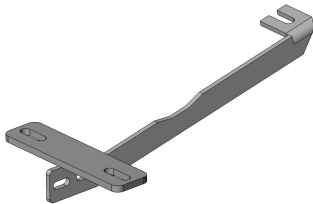
Bullbar with homologation „e”

Specification of full assembly (right side):

1. Side step (2 pcs.) Left + Right



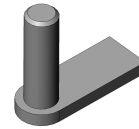
2. Attachment I
(4 pcs.) Left + Right



3. Attachment II
(4 pcs.) Left + Right



4. Skewer M10x30
(8 pcs.)



Connecting components:

Screws:

M6x25- 8 pcs.

M8x25- 12 pcs.

M10x30- 8 pcs. (skewer)

Nuts:

M6- 8 pcs.

M8- 8 pcs.

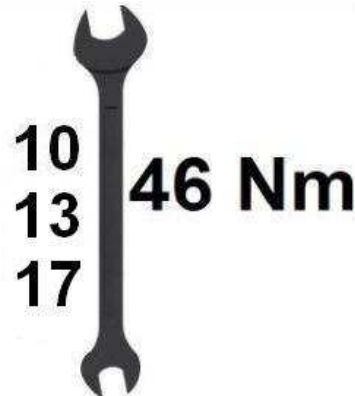
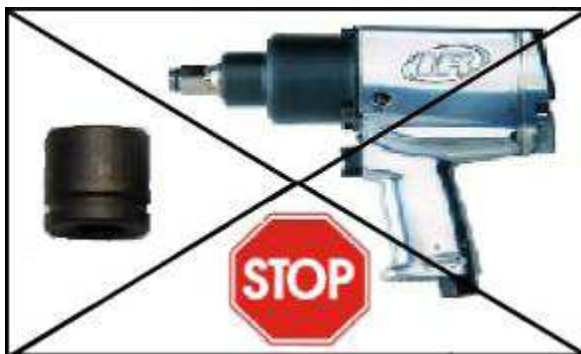
M10- 8 pcs.

Washers:

Ø6,5- 8 pcs.

Ø8,5- 20 pcs. (large washer)

Ø11- 8 pcs. (large washer)



Fitting time



1 h

ATTENTION: *Foil remove after fitting !*

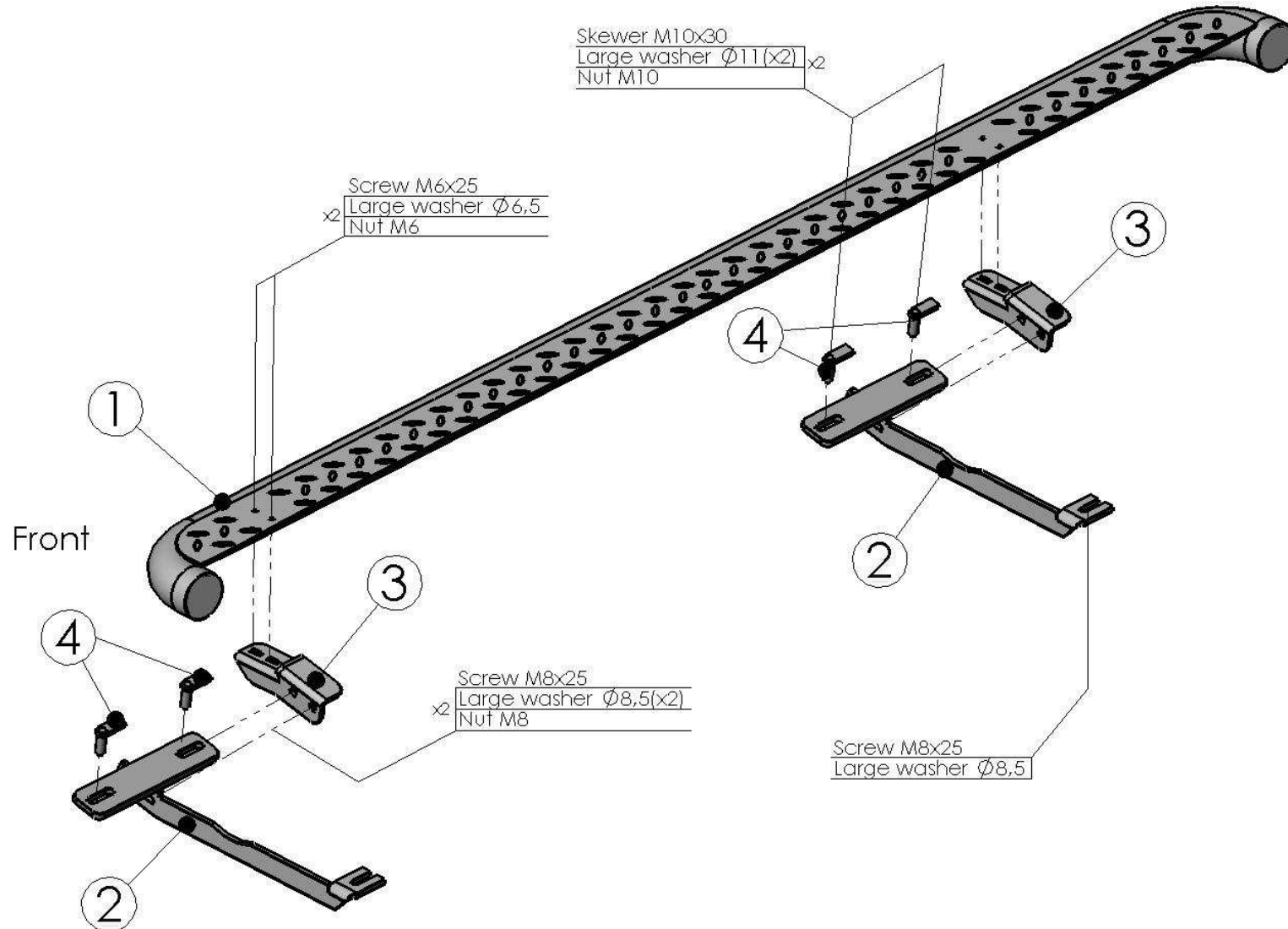
Bullbar fitting:

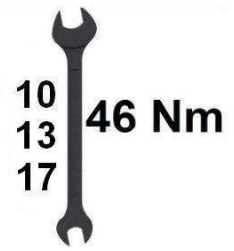
(Fitting of left step must be done in mirror reflection)

QUA+2-R0076-PR / QUAN+2-R0076-PR

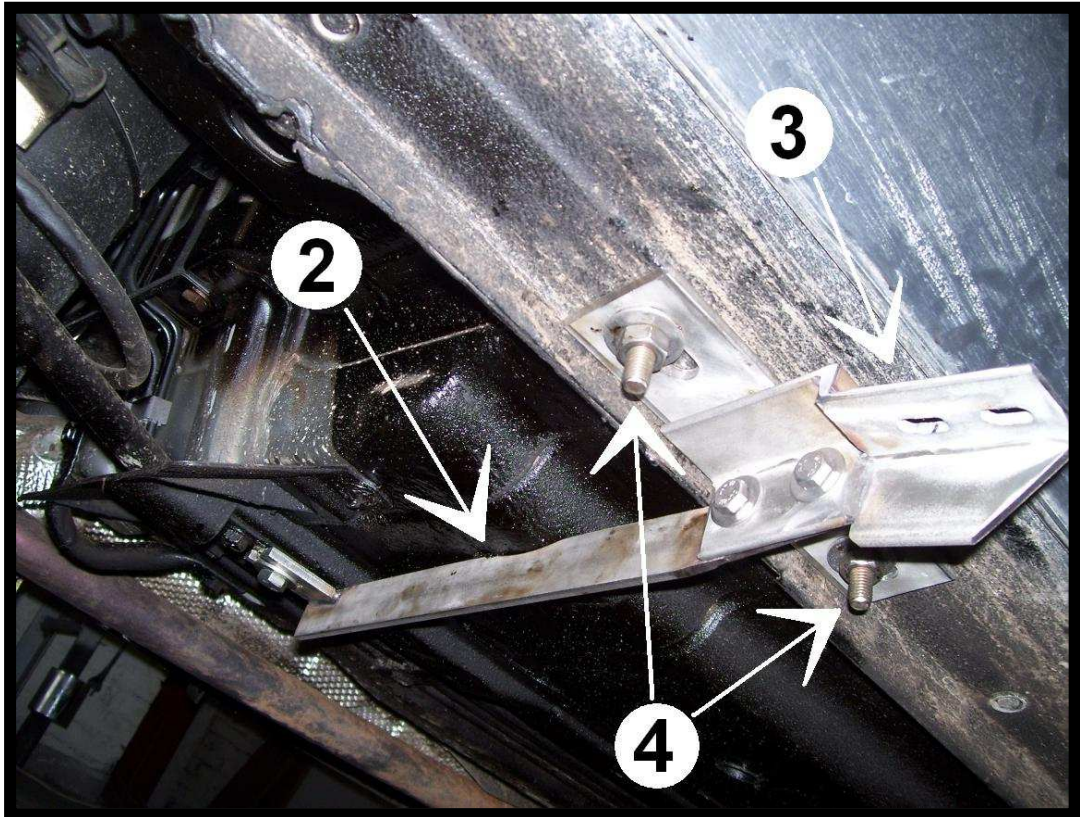
RIGHT SIDE:

Rear





Front attachments:



Rear attachments:

