



STEELER

SOKÓŁKA

www.steeler.pl

SUZUKI JIMNY



FITTING INSTRUCTION

(Front bullbar)

JIMNY-R0070









JIMNY-R0070-03

JIMNY-R0070-04



Bullbar with homologation „e”

Specification of full assembly:

<p>1. Bullbar (1 pc.)</p> 	<p>2. Lower metal plate/Grate(1 pc.)</p> 
<p>3. Upper left attachment (1 pc.)</p> 	<p>4. Upper right attachment (1 pc.)</p> 
<p>5. Lower left attachment (1 pc.)</p> 	<p>6. Lower right attachment (1 pc.)</p> 
<p>7. Lid (szt. 1)</p> 	<p>8. Quill (2 pcs.)</p> 

Connecting components:

Screws:

M6x25- 4 pcs.
M8x50- 1 pc.
M12x50- 2 pcs.
M12x35- 2 pcs.

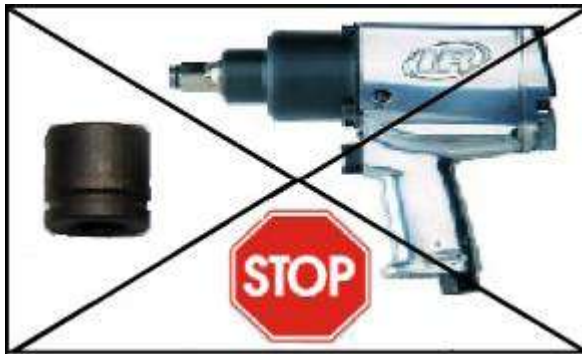
Washers:

Ø6,5- 6 pcs.
Ø6,5- 2 pcs. (large washer)
Ø8,5- 2 pcs. (large washer)
Ø13- 6 pcs. (large washer)

Nuts:

M6- 2 pcs.
M8- 1 pc.
M12- 2 pcs.





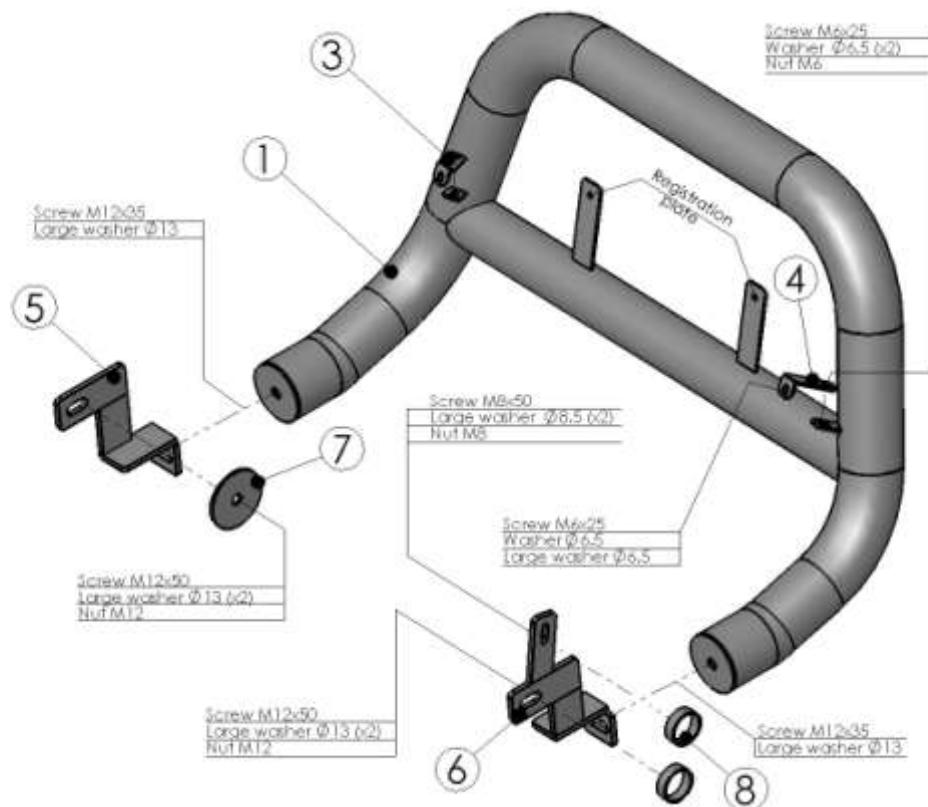
Fitting time



1 h

ATTENTION: *Foil remove after fitting !*

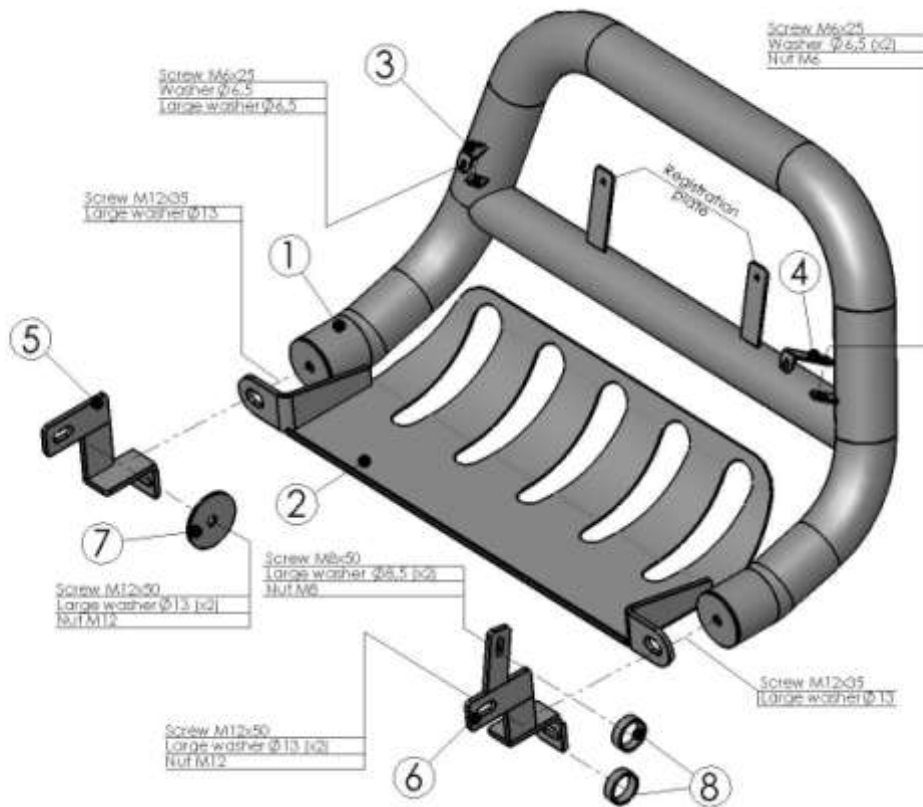
Bullbar fitting (standard):
JIMNY-R0070-03



8,8kg

Bullbar fitting (lower metal plate):

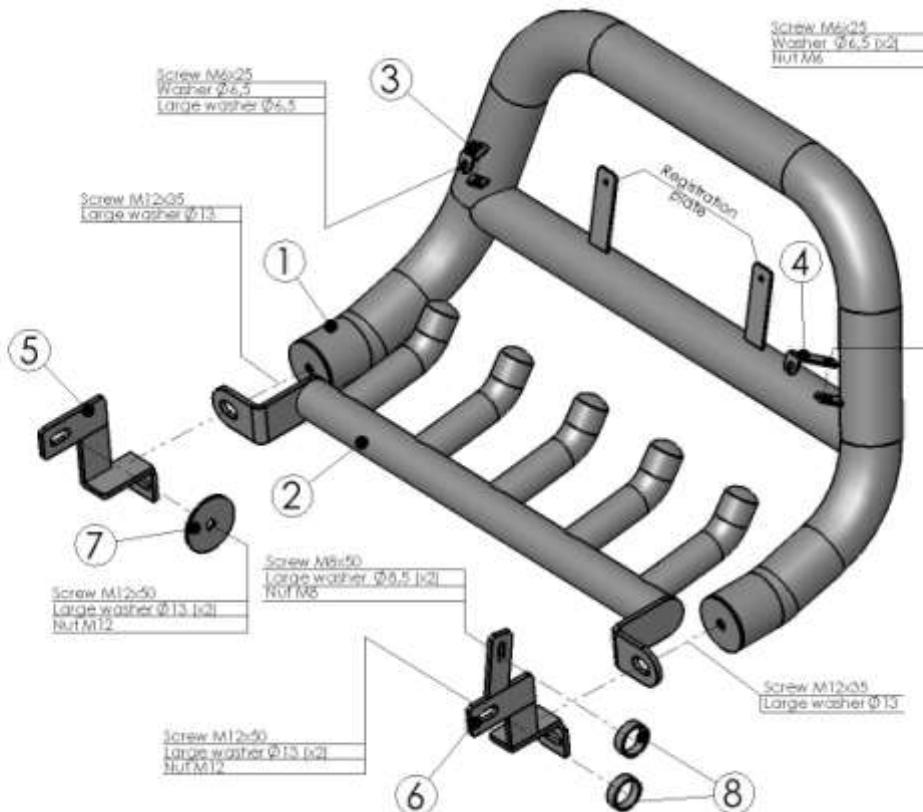
JIMNY-R0070-04



12kg

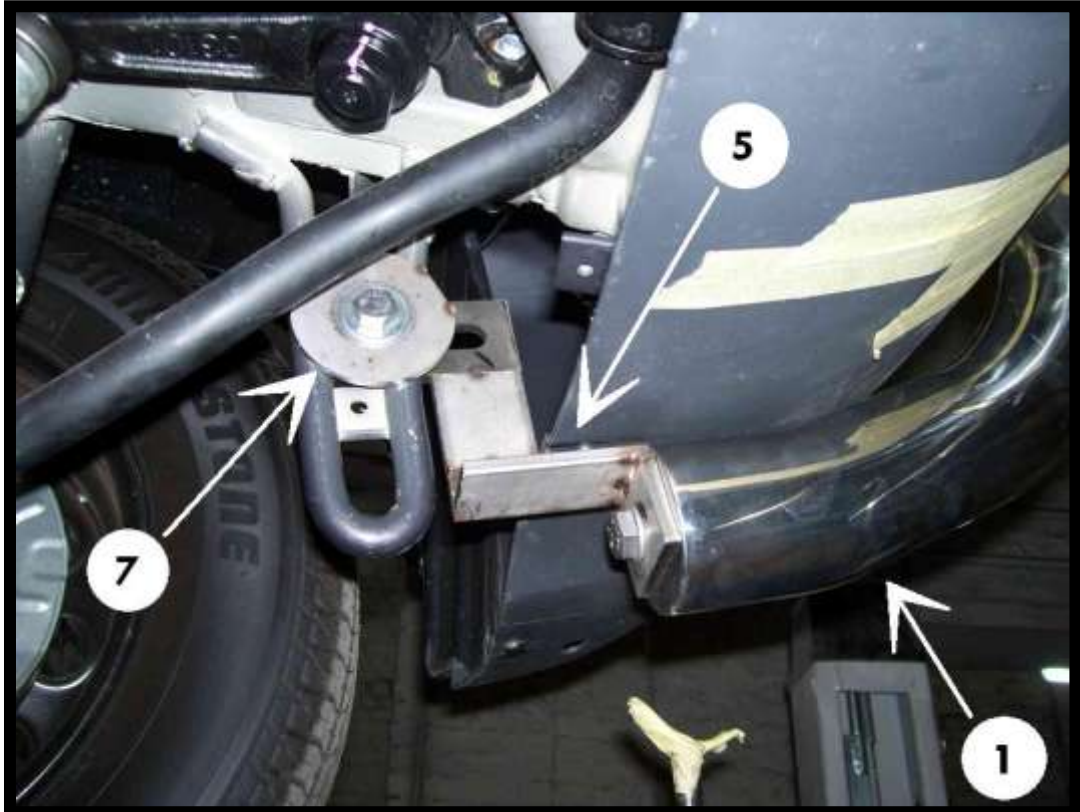
Bullbar fitting (grate):

JIMNY-R0070

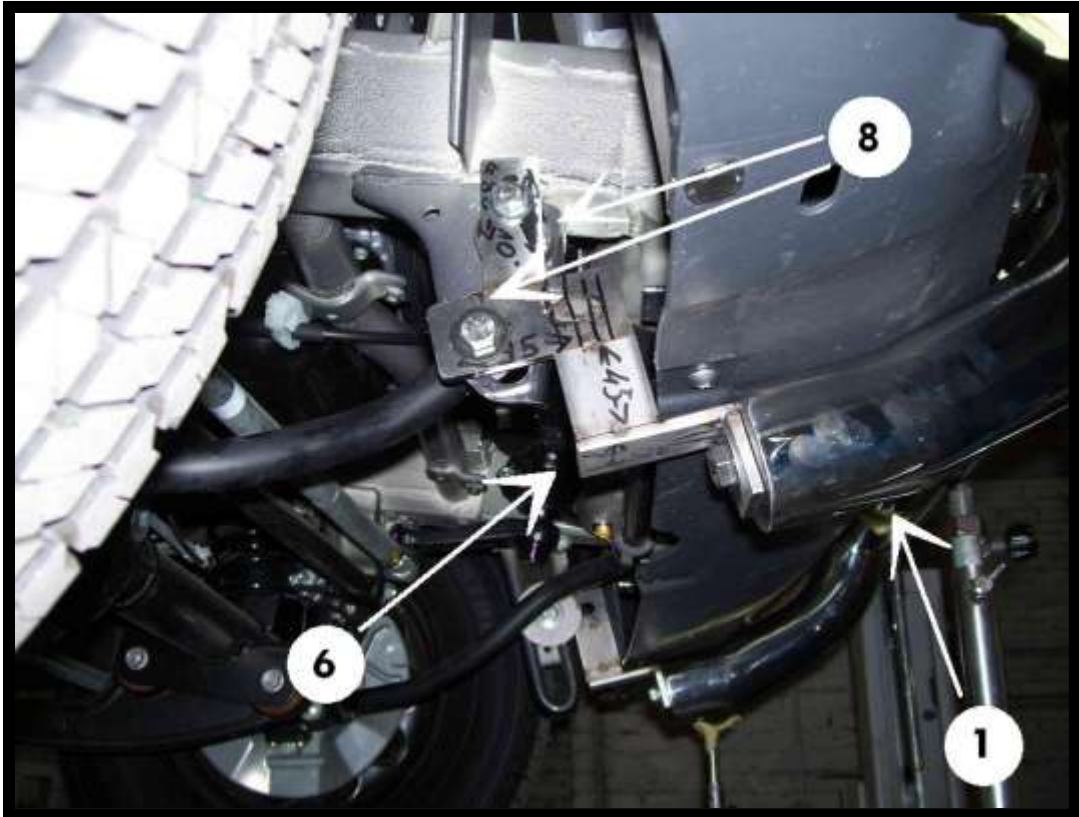
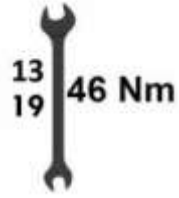


12,8kg

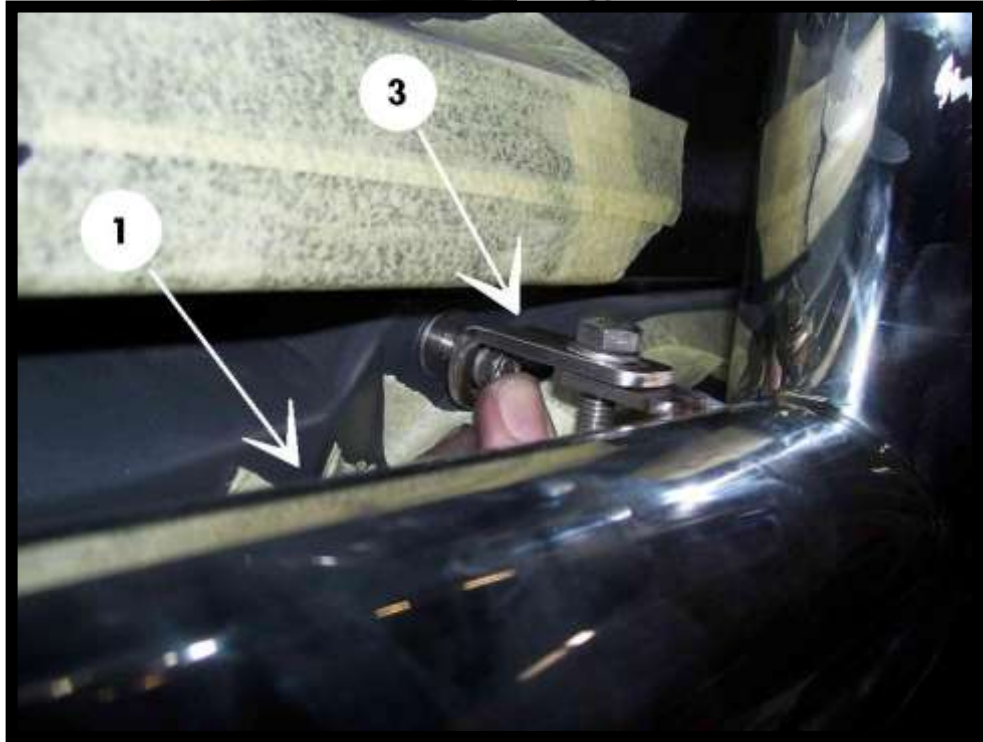
Left, lower attachments:



Right, lower attachments:



Left, upper attachments:



Right, upper attachments:

