

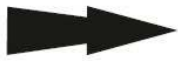


VW AMAROK, 2010 →

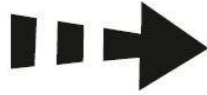
26.1946/26.1947

28/06/11

1/7



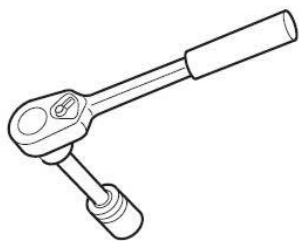
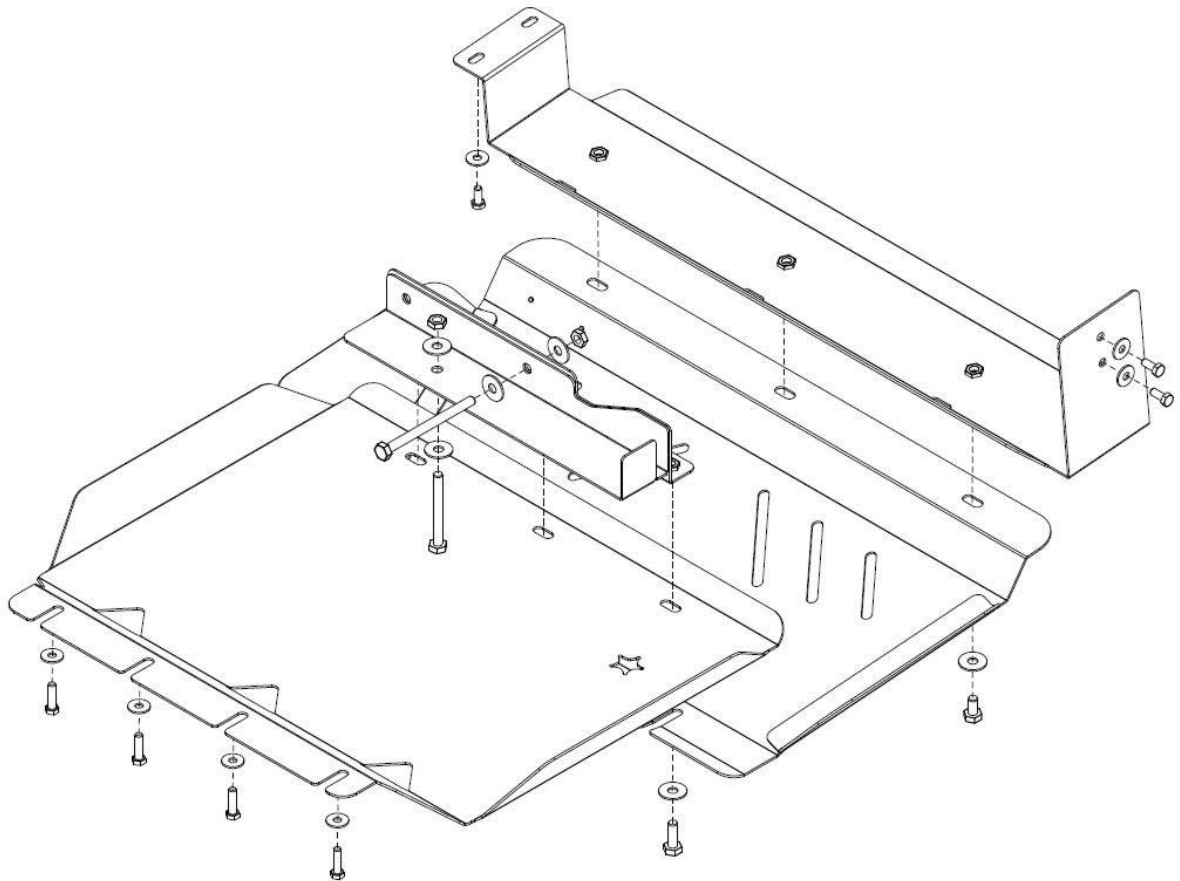
GB Location/Position Arrow



GB Movement Arrow



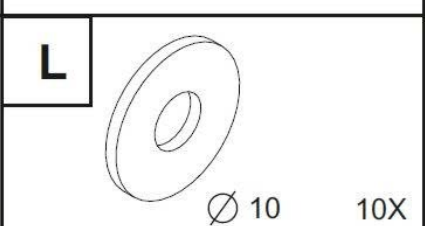
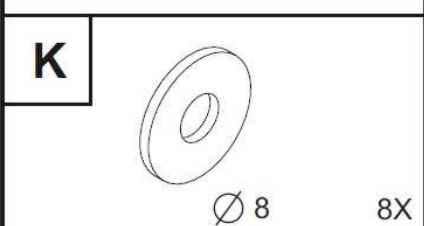
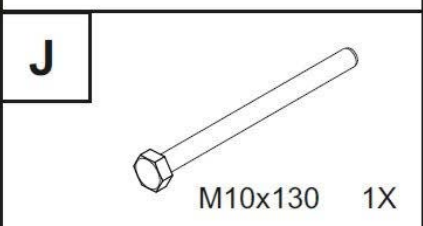
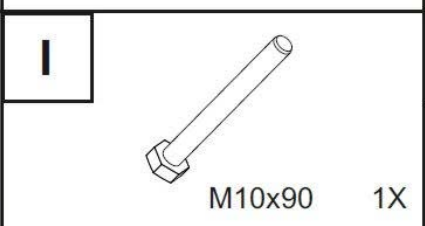
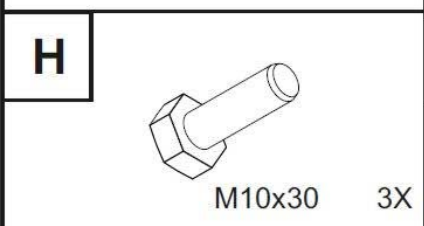
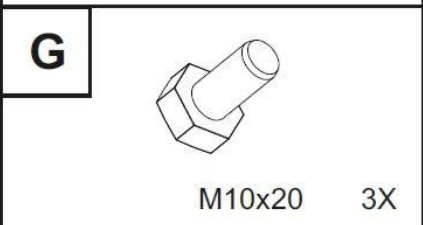
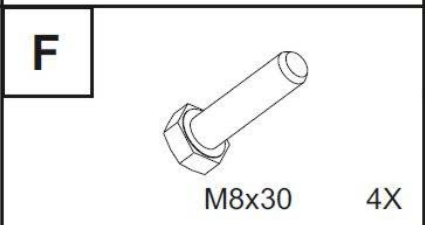
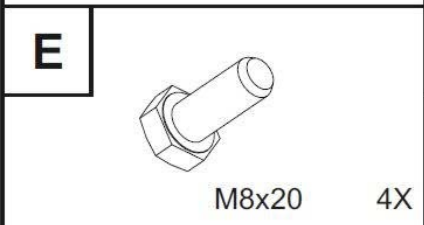
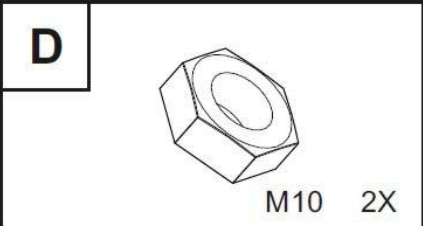
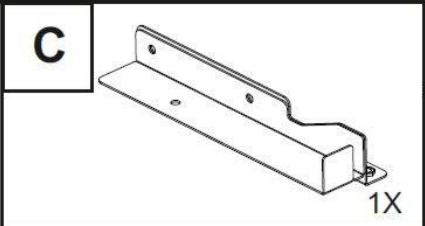
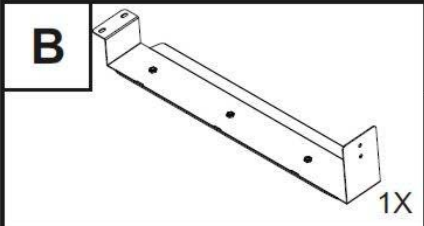
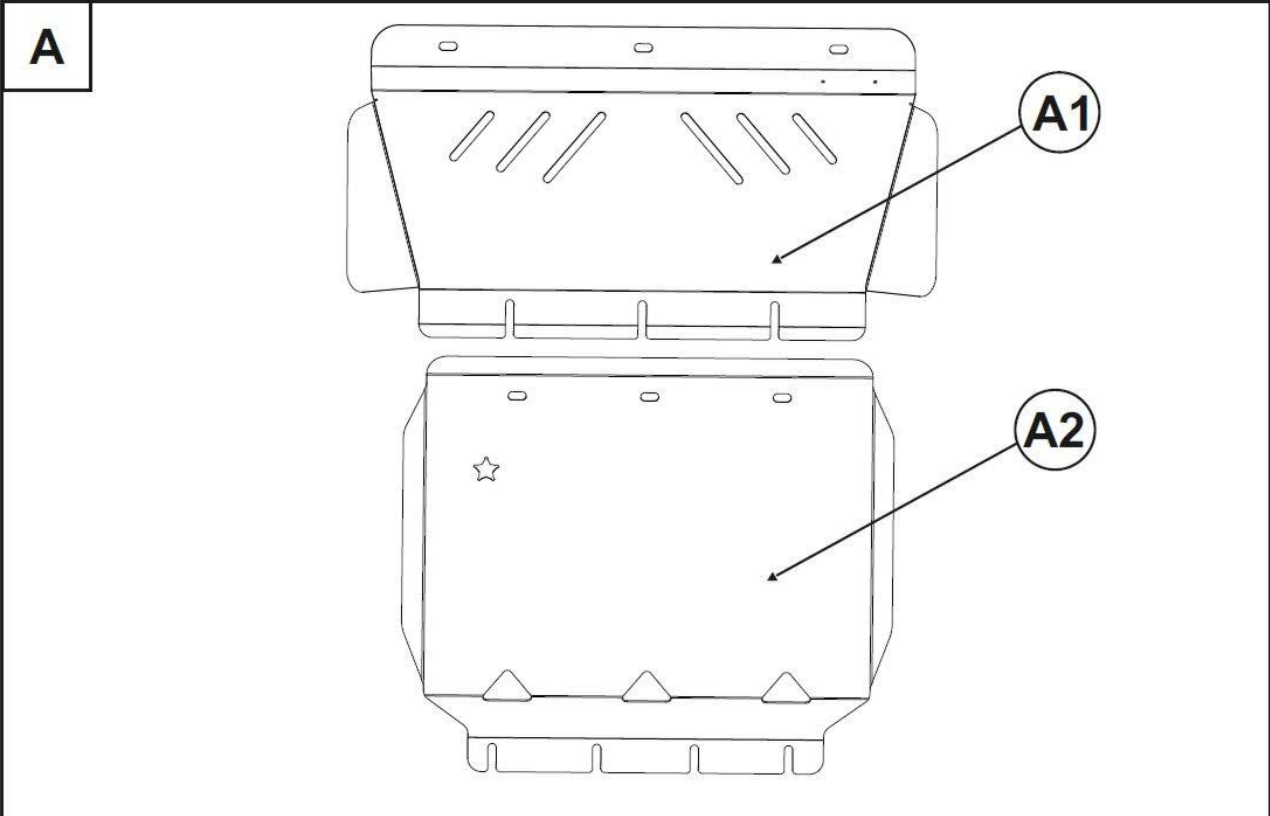
GB Screw Arrow

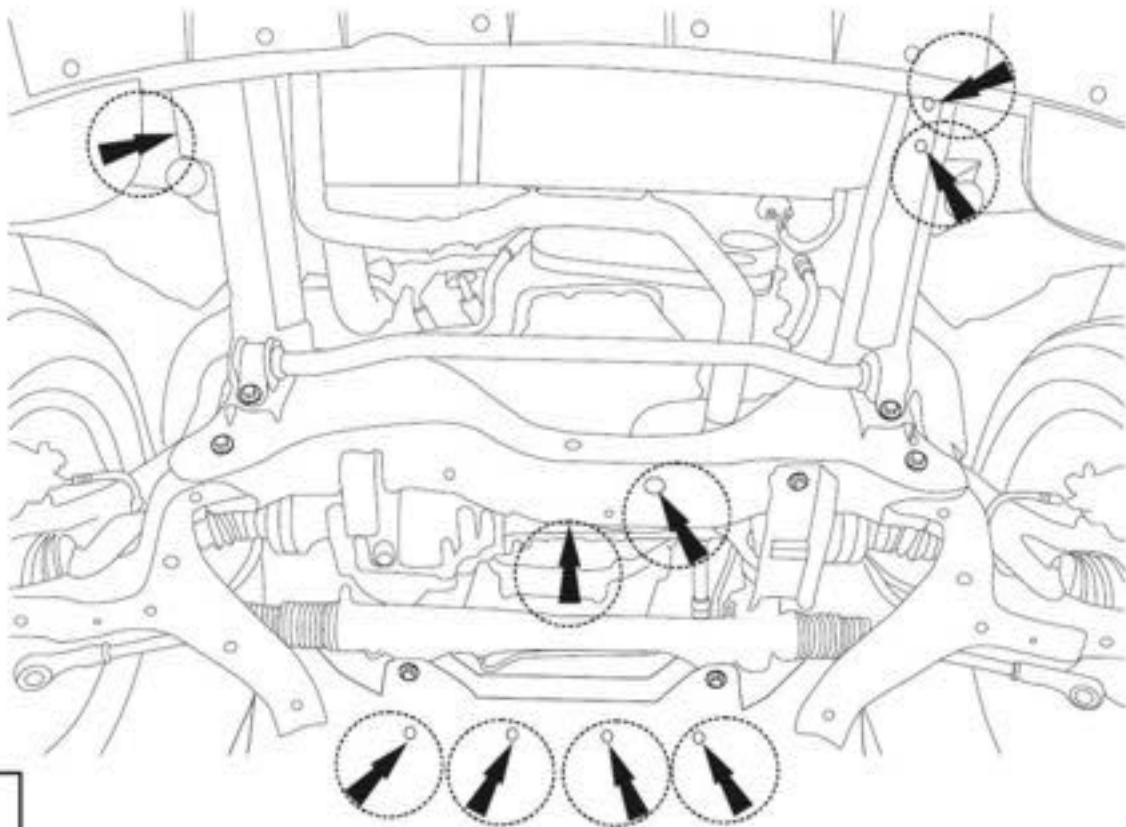


26.1946/26.1947

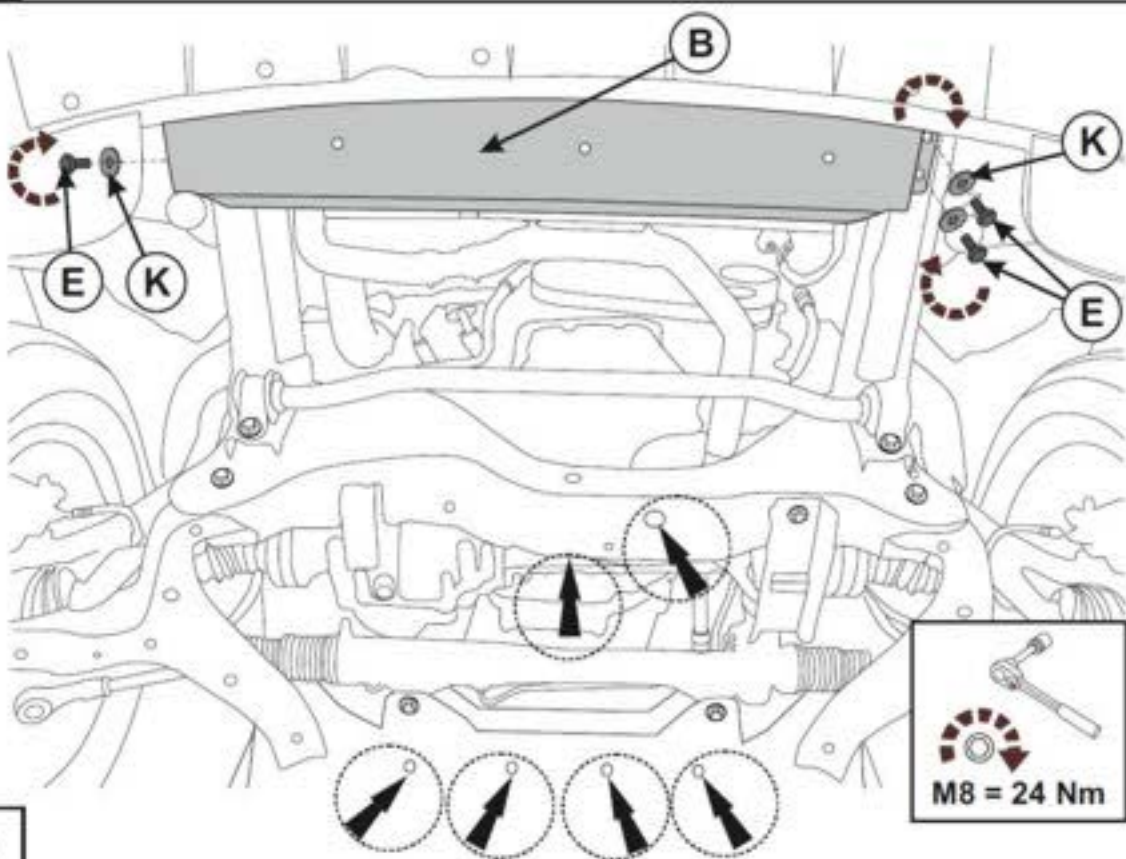
28/06/11

2/7

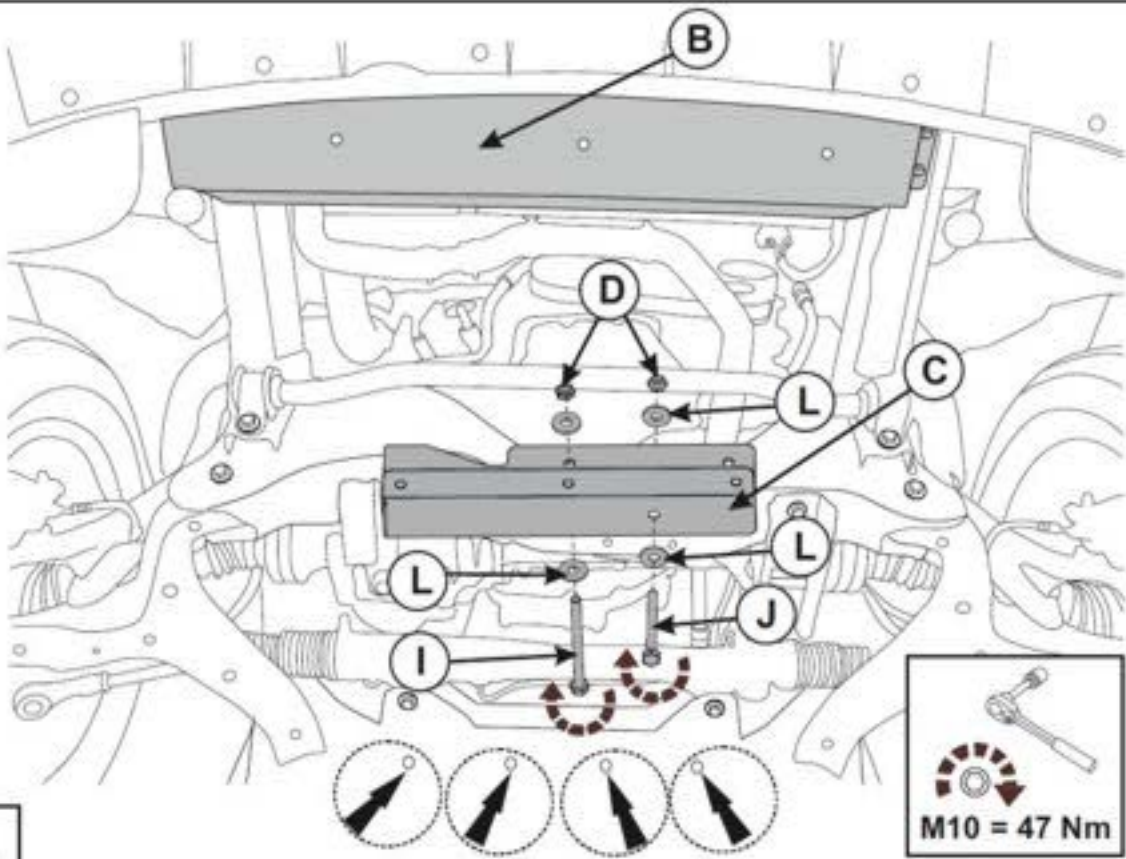




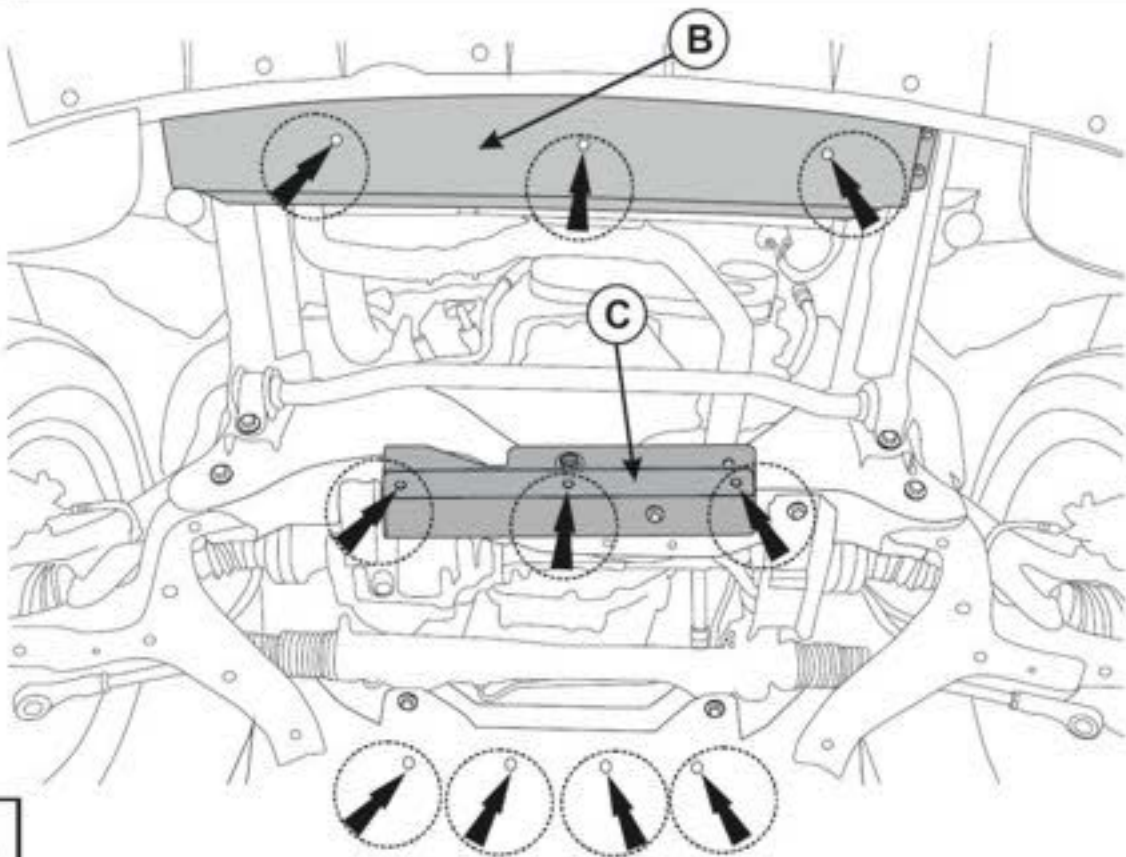
1



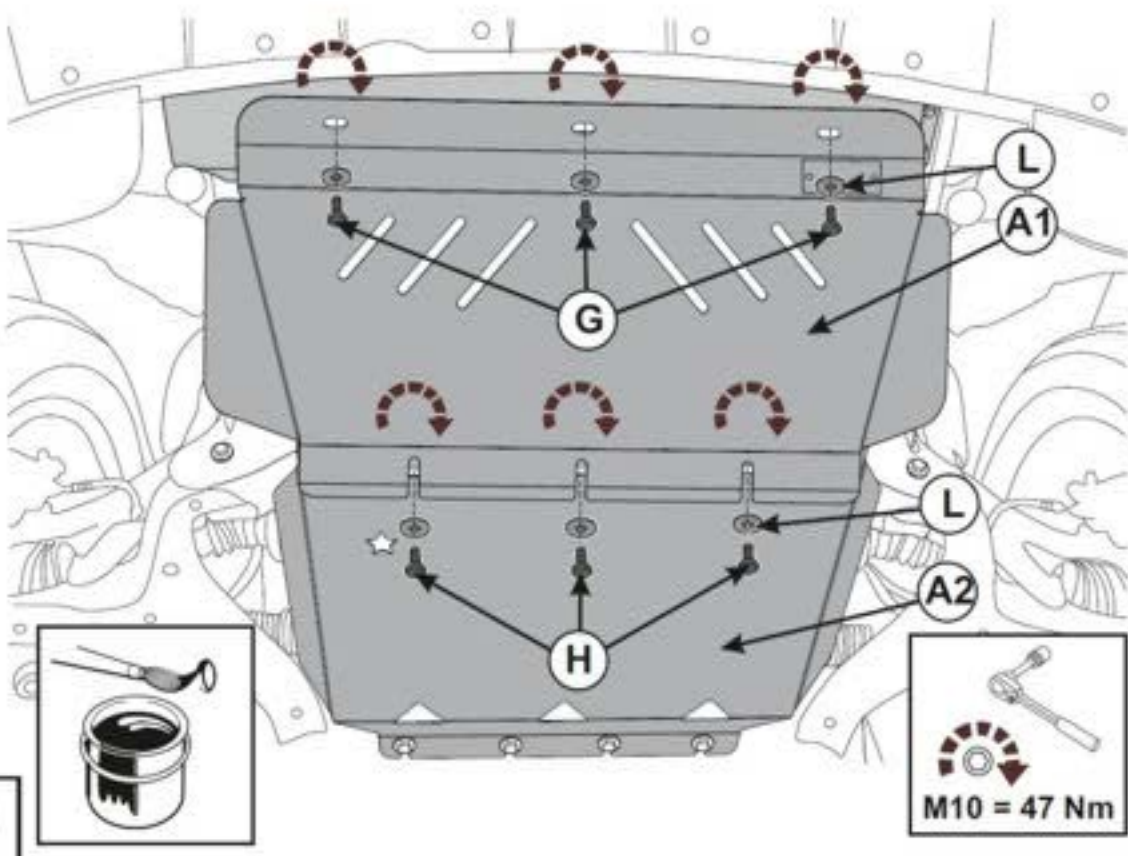
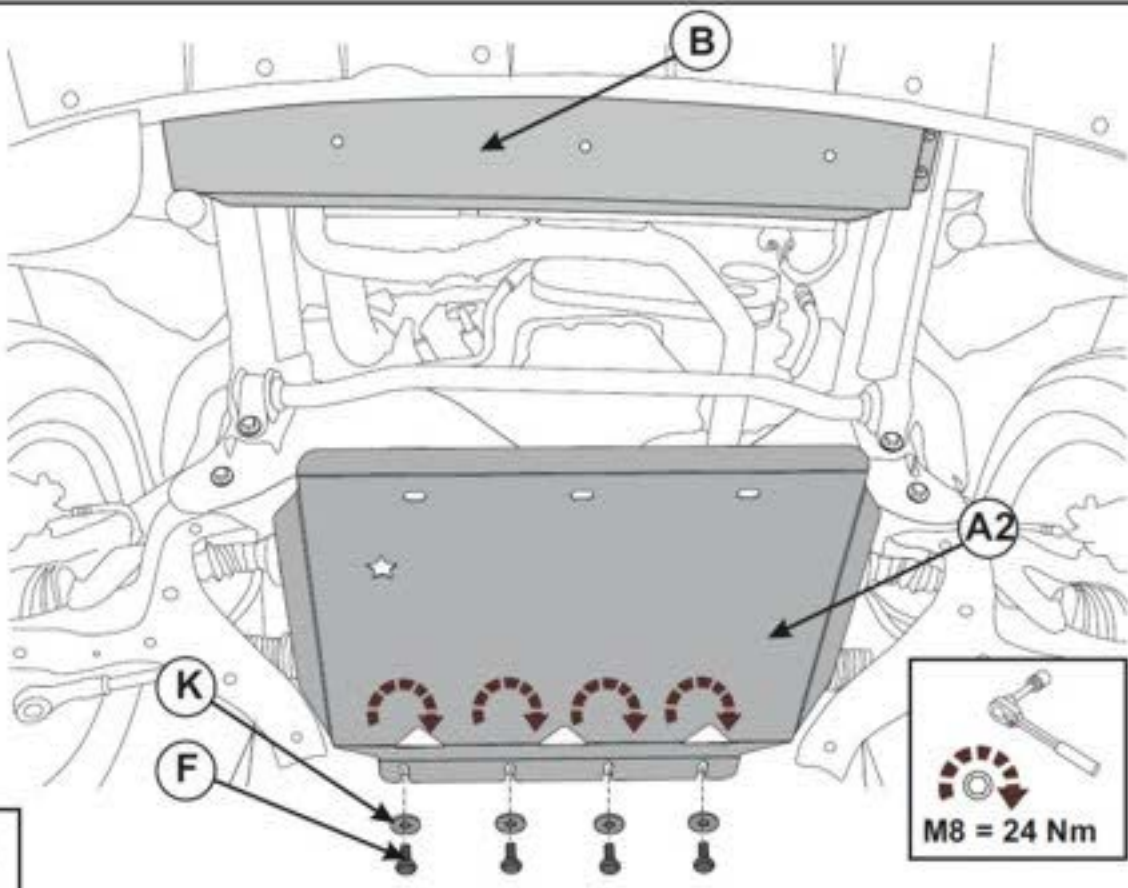
2

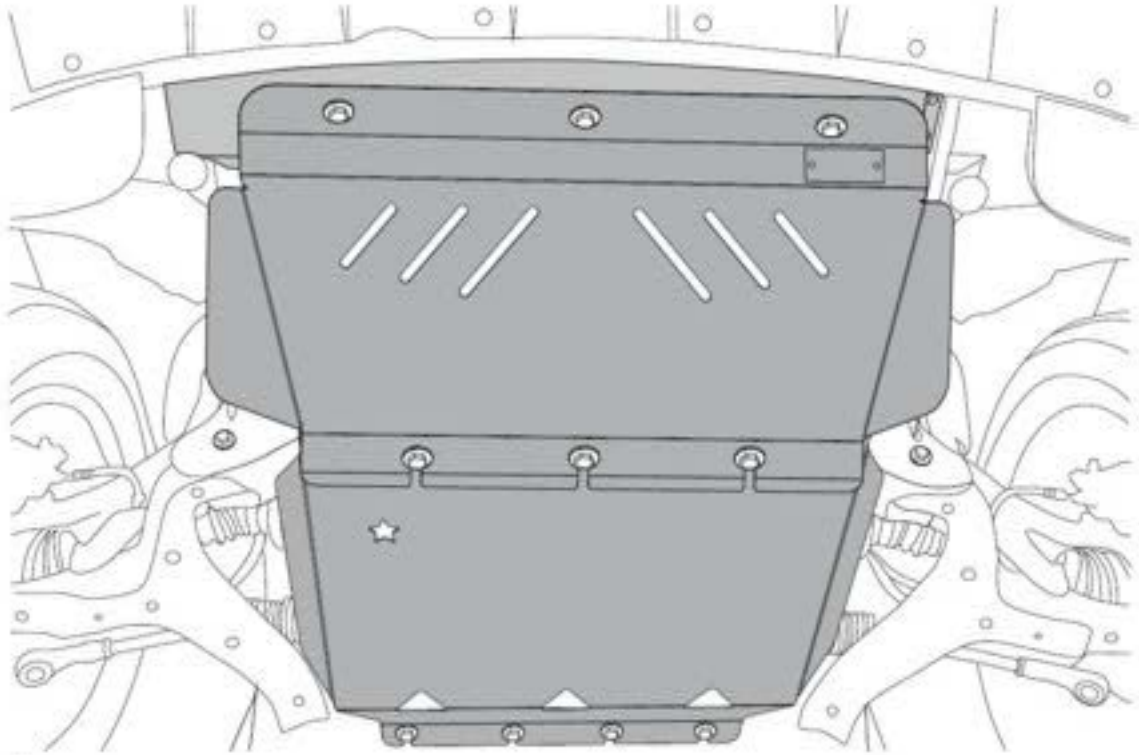


3



4





7