



STEELER

SOKÓŁKA

www.steeler.pl

NISSAN X-TRAIL



FITTING INSTRUCTION

(Front bullbar)

X-TRAIL-R0070


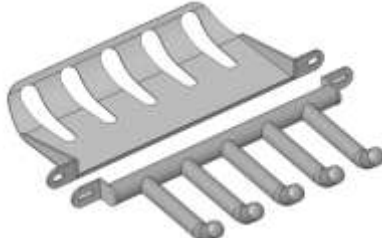







X-TRAIL-R0070-03

X-TRAIL-R0070-04



Bullbar with homologation „e”

Specification of full assembly:

<p>1. Bullbar (1 pc.)</p> 	<p>2. Lower metal plate / Grate (1 pc.)</p> 
<p>3. Lower left attachment I (1 pc.)</p> 	<p>4. Lower right attachment I (1 pc.)</p> 
<p>5. Lower left attachment II (1 pc.)</p> 	<p>6. Lower right attachment II (1 pc.)</p> 
<p>7. Upper left attachment I (1 pc.)</p> 	<p>8. Upper right attachment I (1 pc.)</p> 
<p>9. Upper attachment II (2 pcs.)</p> 	

Connecting components:

Screws:

M8x25- 4 pcs.
M8x60- 4 pcs.
M10x35- 2 pcs.
M12x35- 2 pcs.

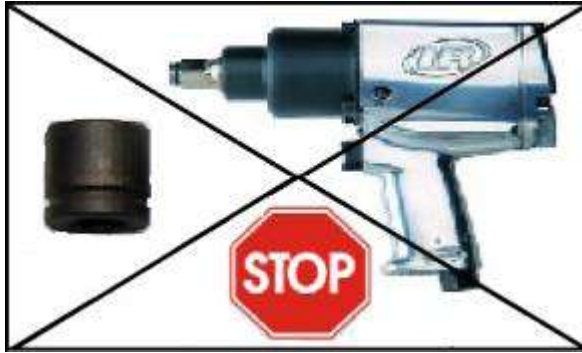
Washers:

Ø 8,5- 12 pcs.
Ø 8,5- 2 pcs. (large washer)
Ø 11- 2 pcs. (large washer)
Ø 13- 2 pcs. (large washer)

Nuts:

M8- 6 pcs.





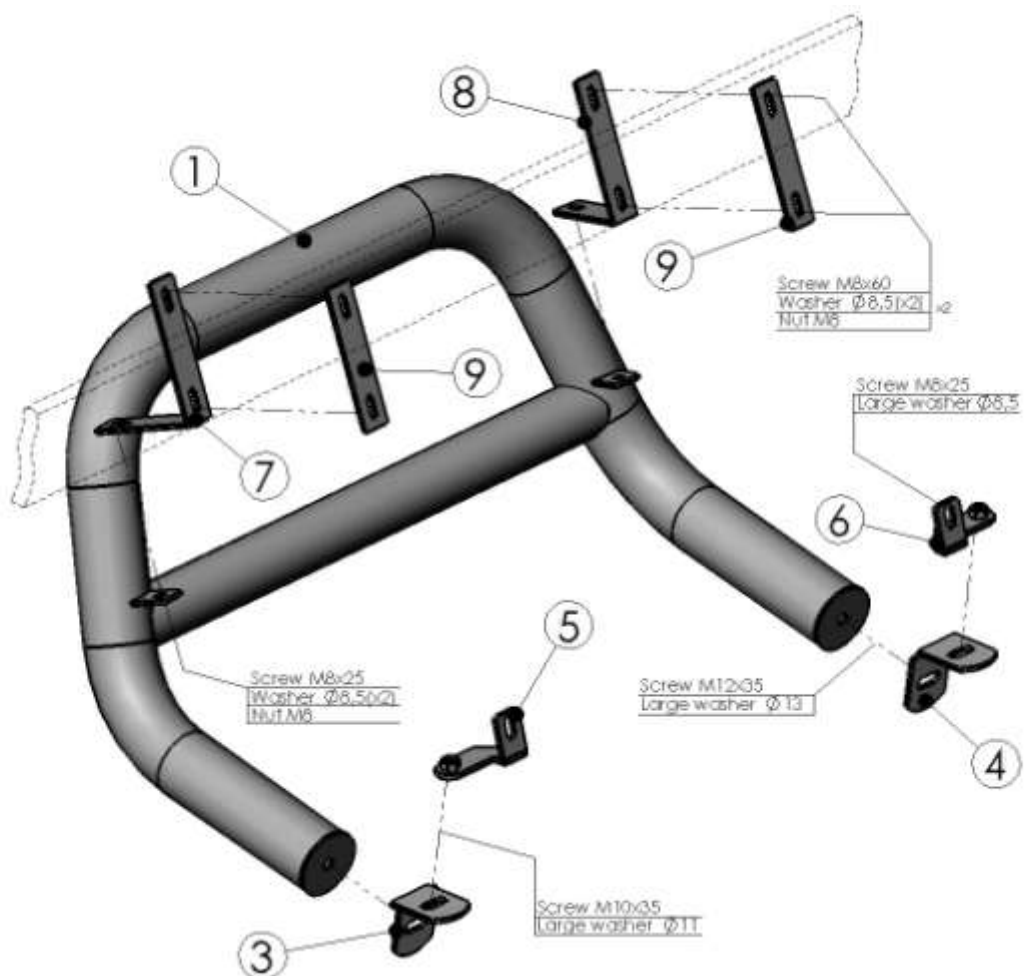
Fitting time



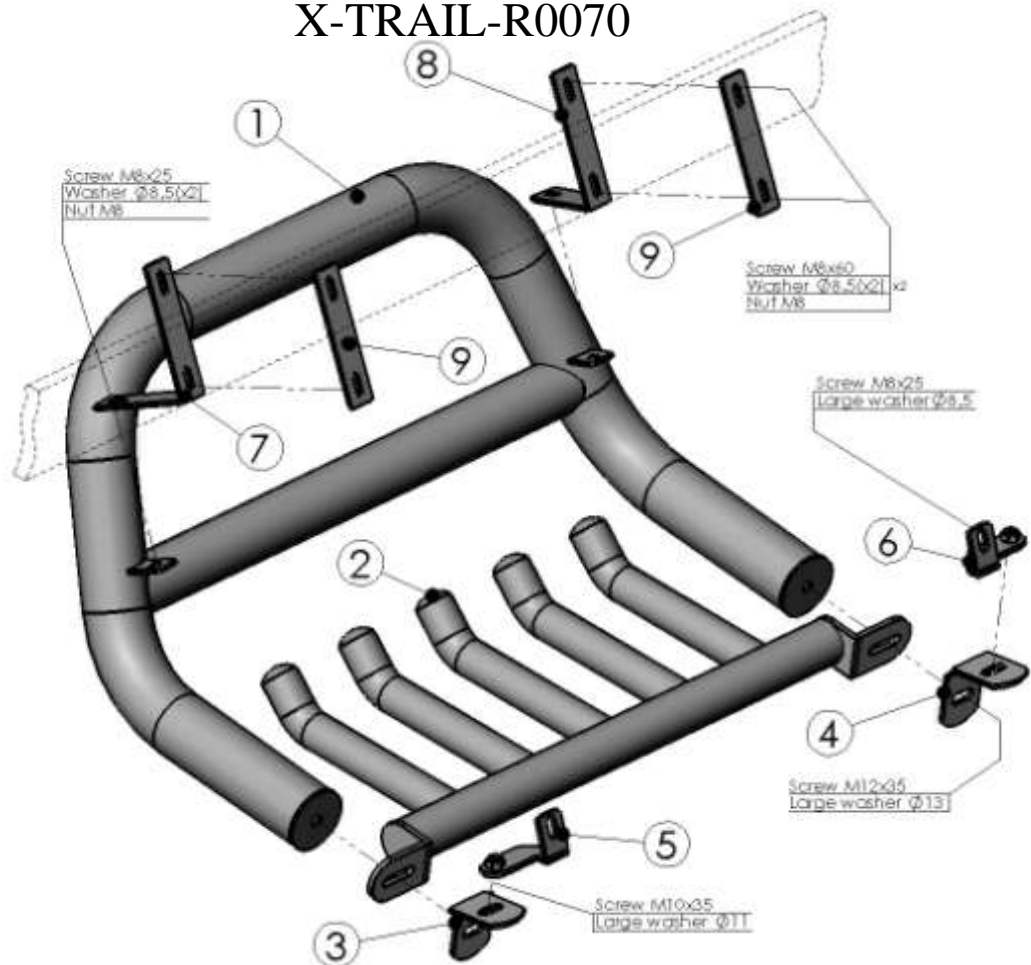
1 h

ATTENTION: *Foil remove after fitting !*

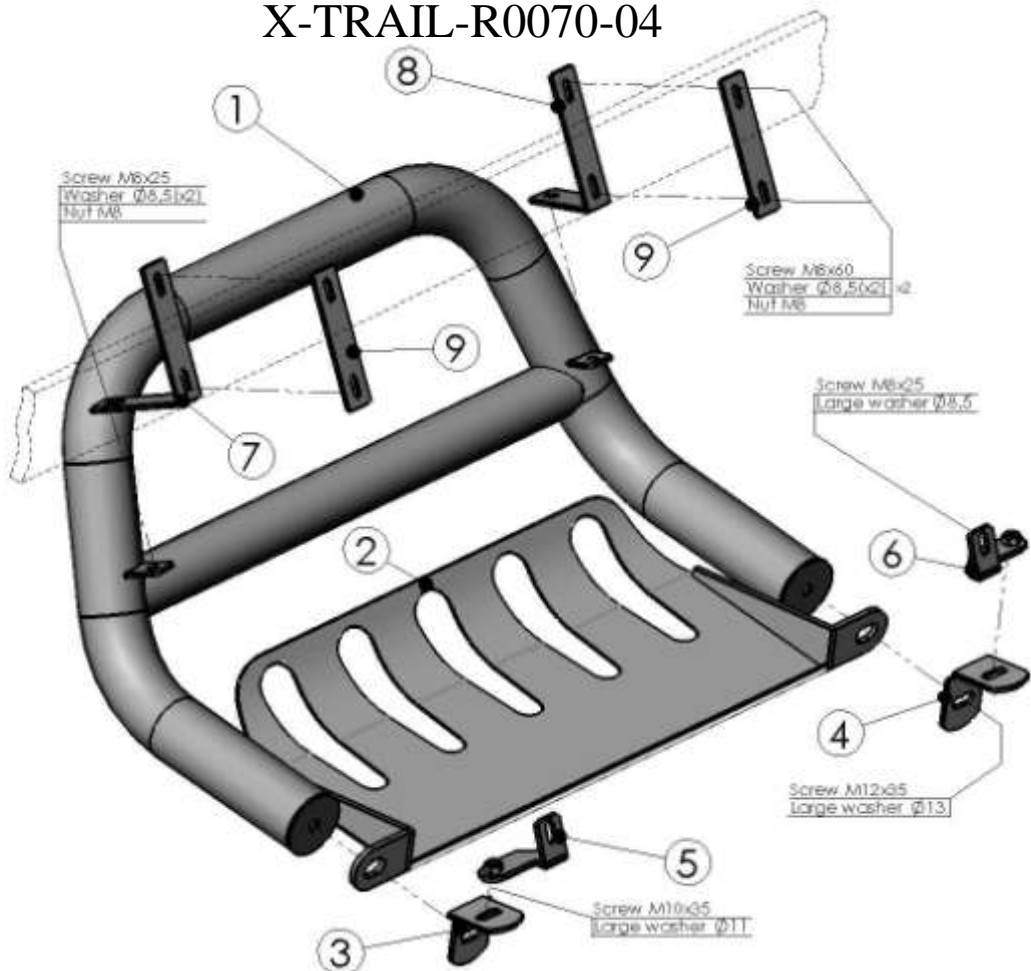
Bullbar fitting (standard):
X-TRAIL-R0070-03



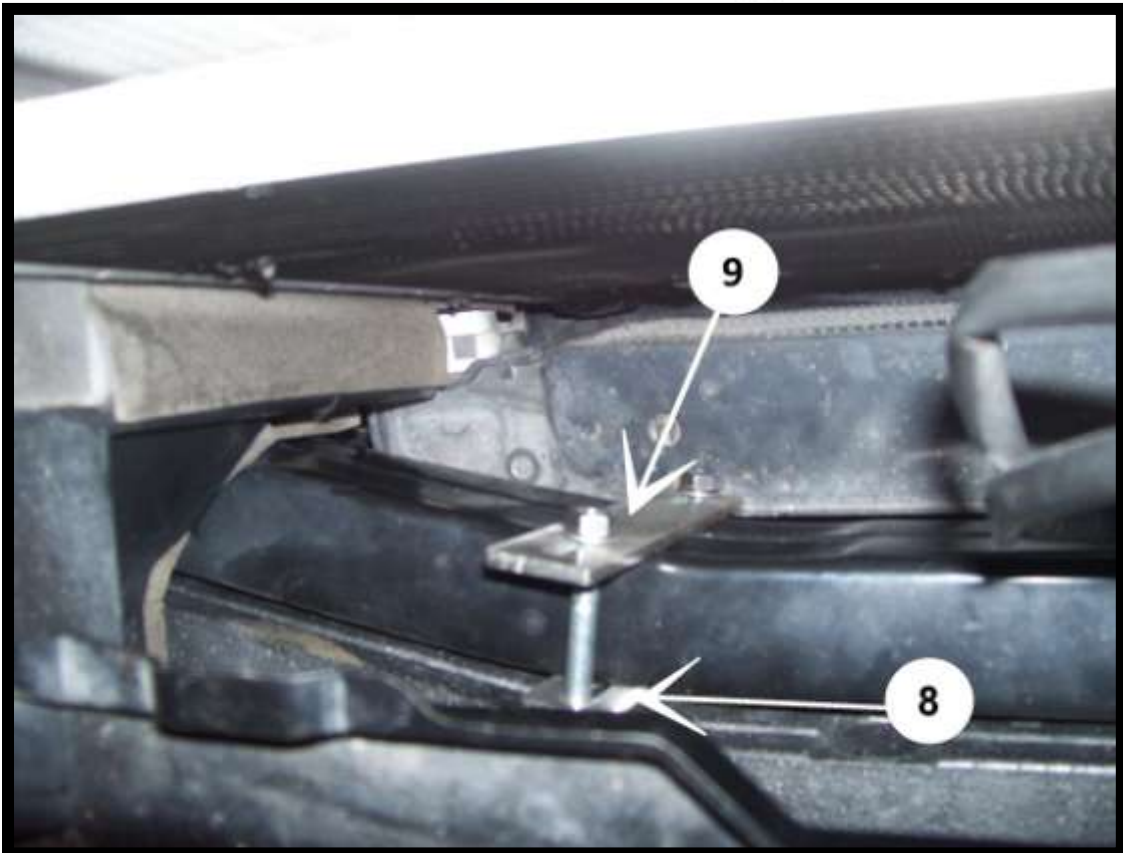
Bullbar fitting (grate): X-TRAIL-R0070



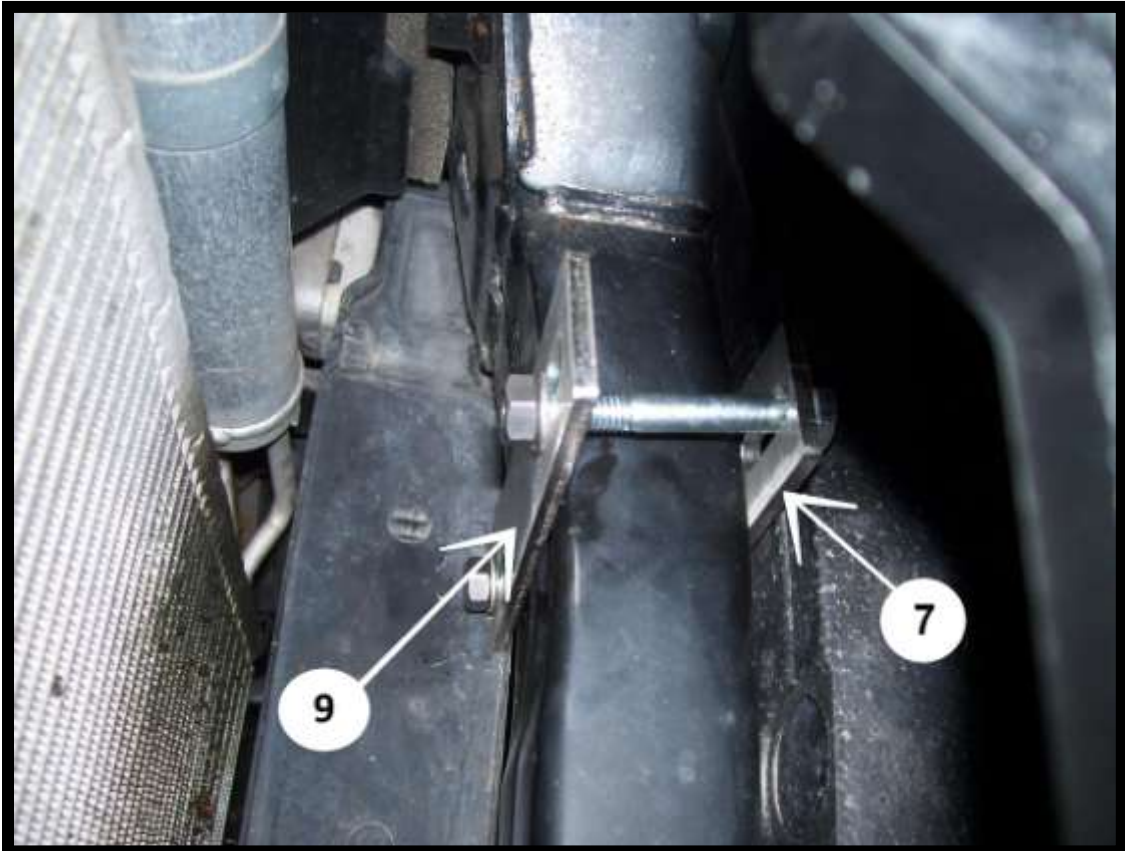
Bullbar fitting (lower metal plate): X-TRAIL-R0070-04



Right, upper attachments:



Left, upper attachments:



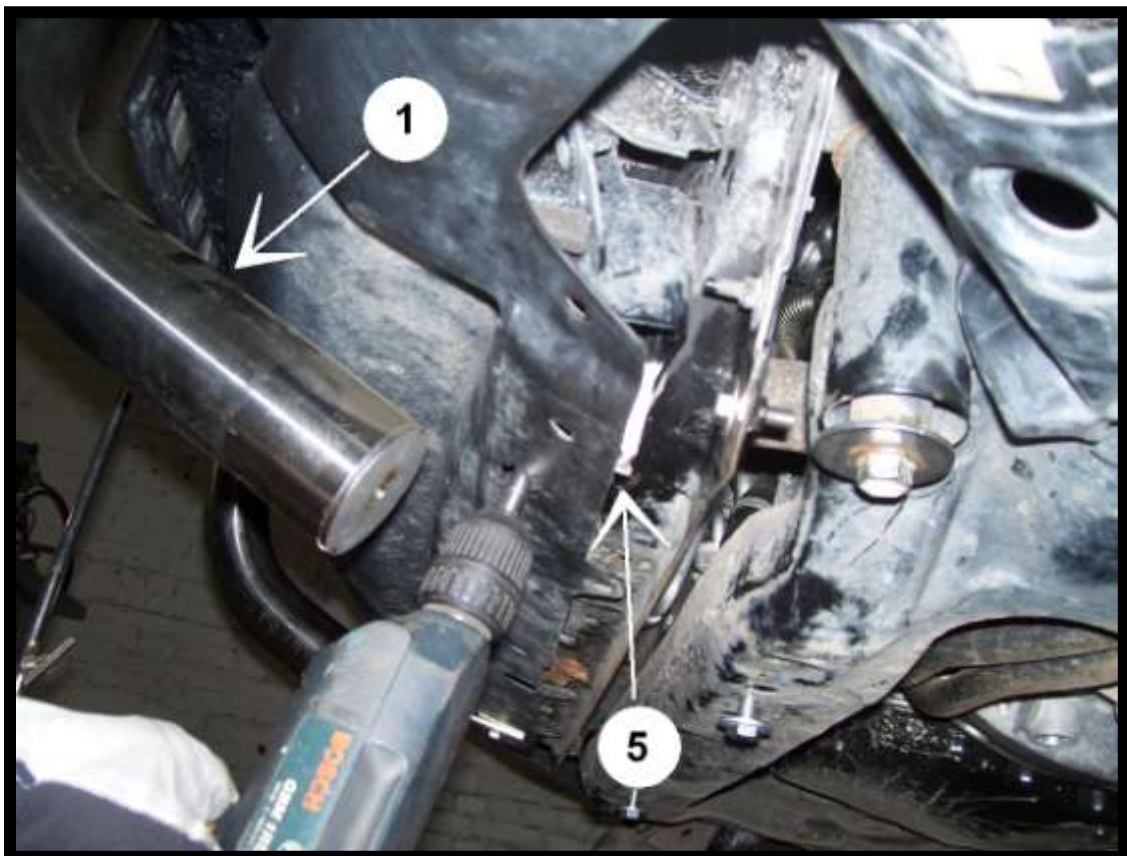
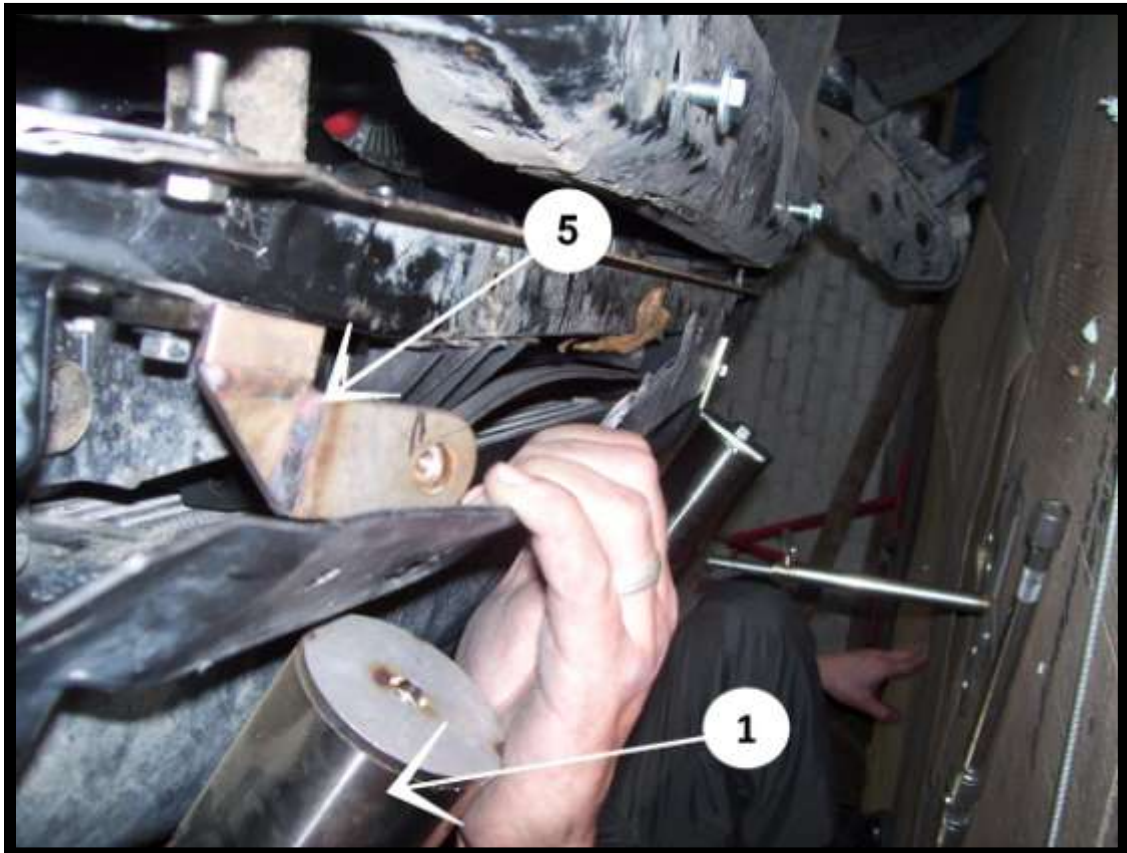
Left, lower attachments:



13
17
19



46 Nm



Right, lower attachments:



13
17
19



46 Nm

