



STEELER

SOKÓŁKA

www.steeler.pl

SUZUKI JIMNY



FITTING INSTRUCTION

(Extensive front bullbar)

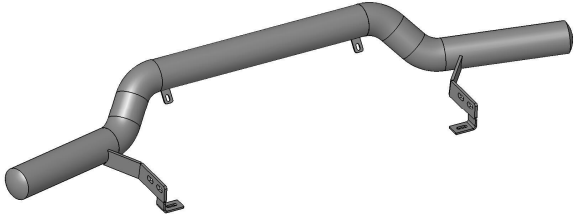
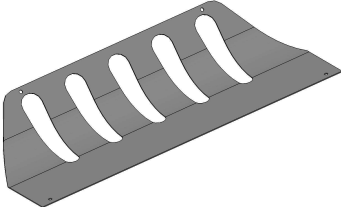
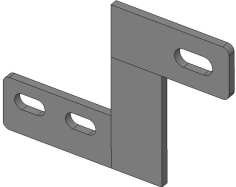
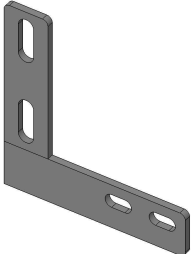


JIMNY-R0076-04

JIMNY-R0076-06



Bullbar with homologation „e”

Specification of full assembly:

<p>1. Bullbar (1 pc.)</p> 	<p>2. Lower metal plate (1 pc.)</p> 
<p>3. Lower left attachment (1 pc.)</p> 	<p>4. Lower right attachment (1 pc.)</p> 
<p>5. Lid (1 pc.)</p> 	<p>6. Quill (2 pcs.)</p> 

Connecting components:

JIMNY-R0076-04 (lower metal plate)

Screws:

M6x25- 4 pcs.

M8x50- 1 pc.

M10x30- 4 pcs.

M12x50- 2 pcs.

Nuts:

M6- 4 pcs.

M8- 1 pc.

M10- 4 pcs.

M12- 2 pcs.

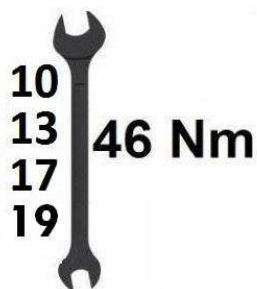
Washers:

Ø6,5- 8 pcs.

Ø8,5- 2 pcs. (large washer)

Ø11- 8 pcs. (large washer)

Ø13- 4 pcs. (large washer)



JIMNY-R0076-06 (standard)

Screws:

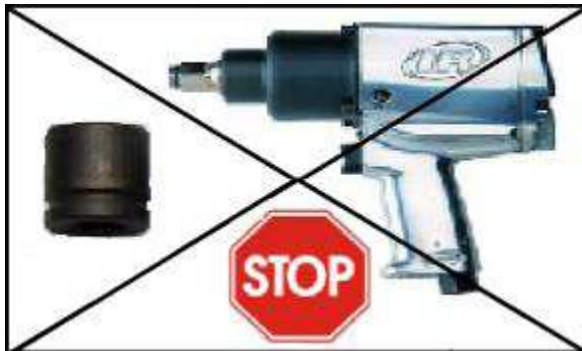
M8x50- 1 pc.
M10x30- 4 pcs.
M12x50- 2 pcs.

Nuts:

M8- 1 pc.
M10- 4 pcs.
M12- 2 pcs.

Washers:

Ø8,5- 2 pcs. (large washer)
Ø11- 8 pcs. (large washer)
Ø13- 4 pcs. (large washer)



Fitting time

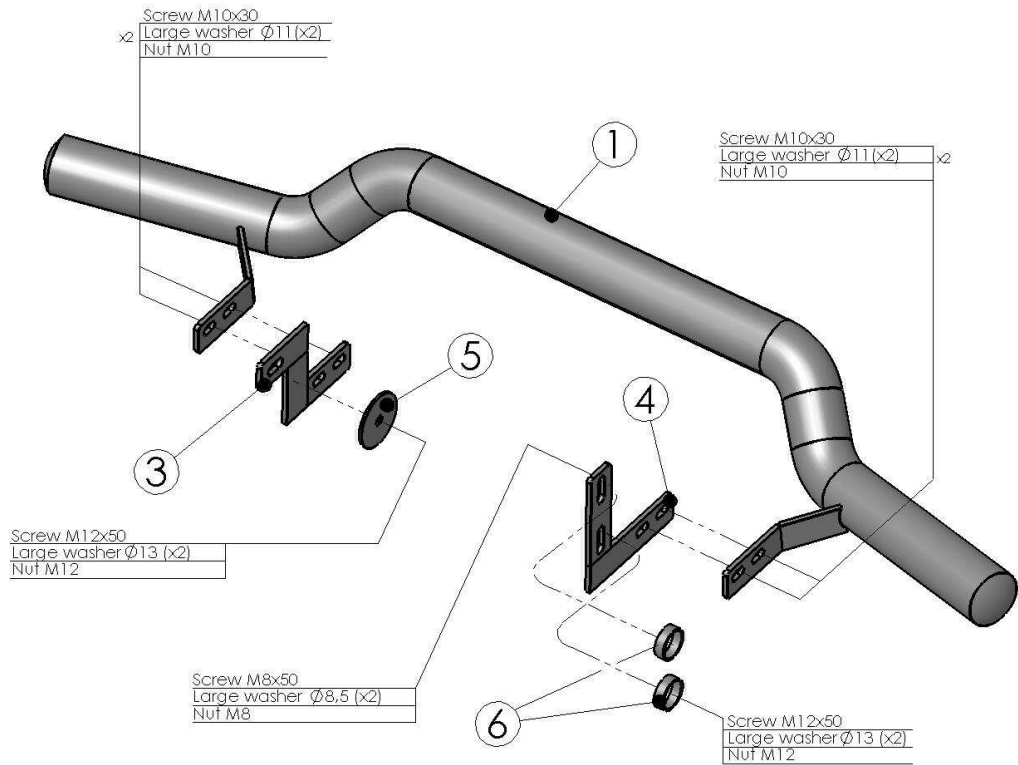


1 h

ATTENTION: *Foil remove after fitting!*

Bullbar fitting (standard):

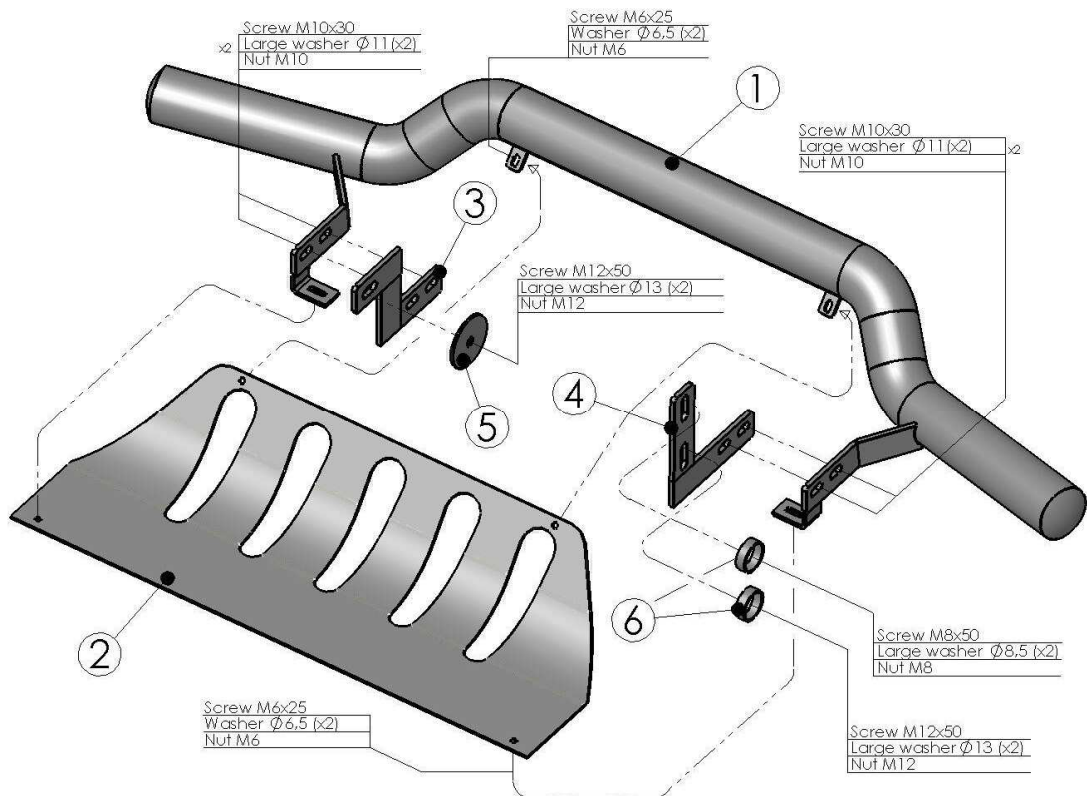
JIMNY-R0076-06



7,4kg

Bullbar fitting (lower metal plate):

JIMNY-R0076-04



10,3kg