



**VW AMAROK, 2010** →

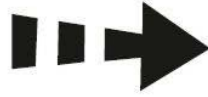
26.1948/26.1949

27/06/11

1/5



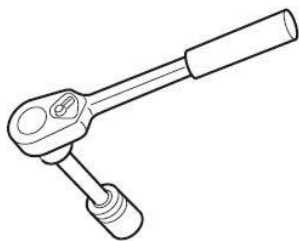
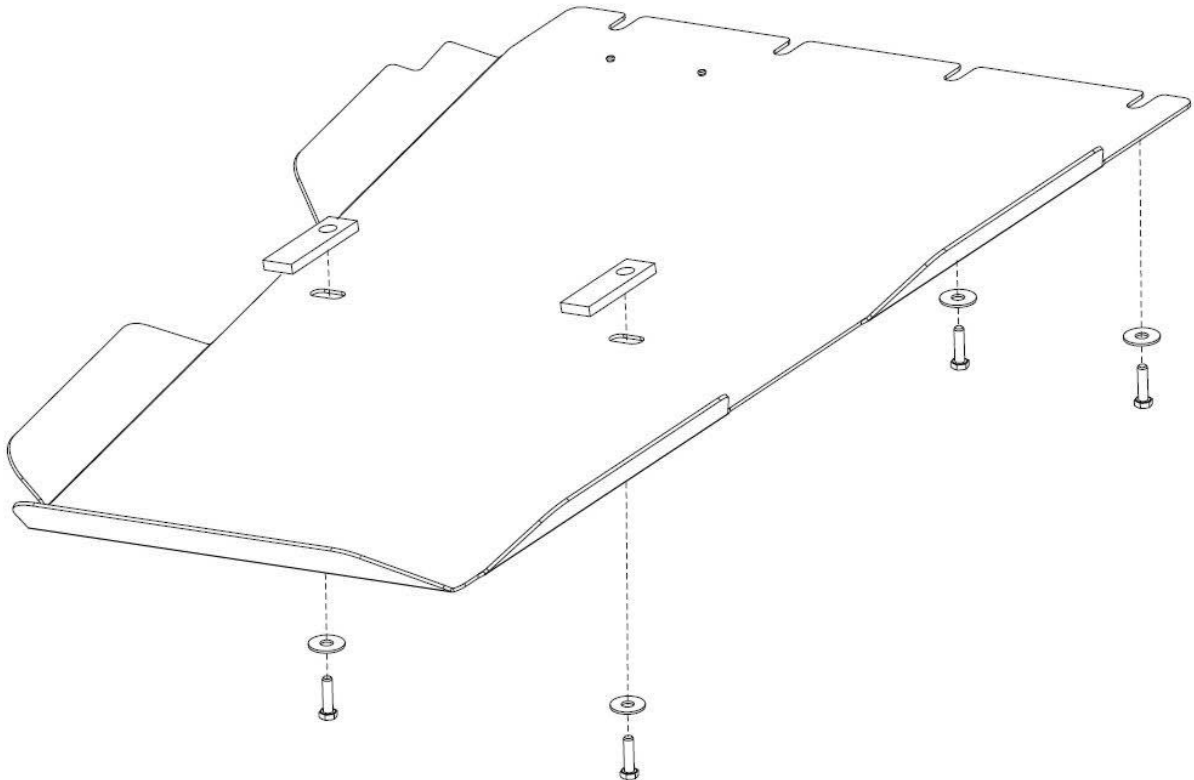
(GB) Location/Position Arrow



(GB) Movement Arrow



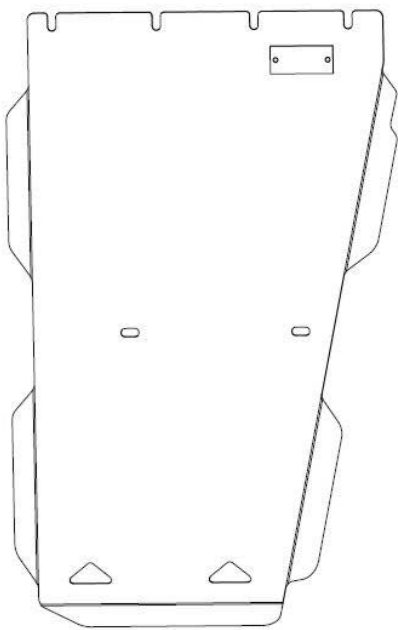
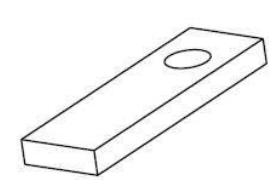


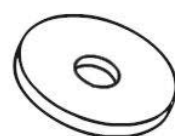

(GB) Screw Arrow

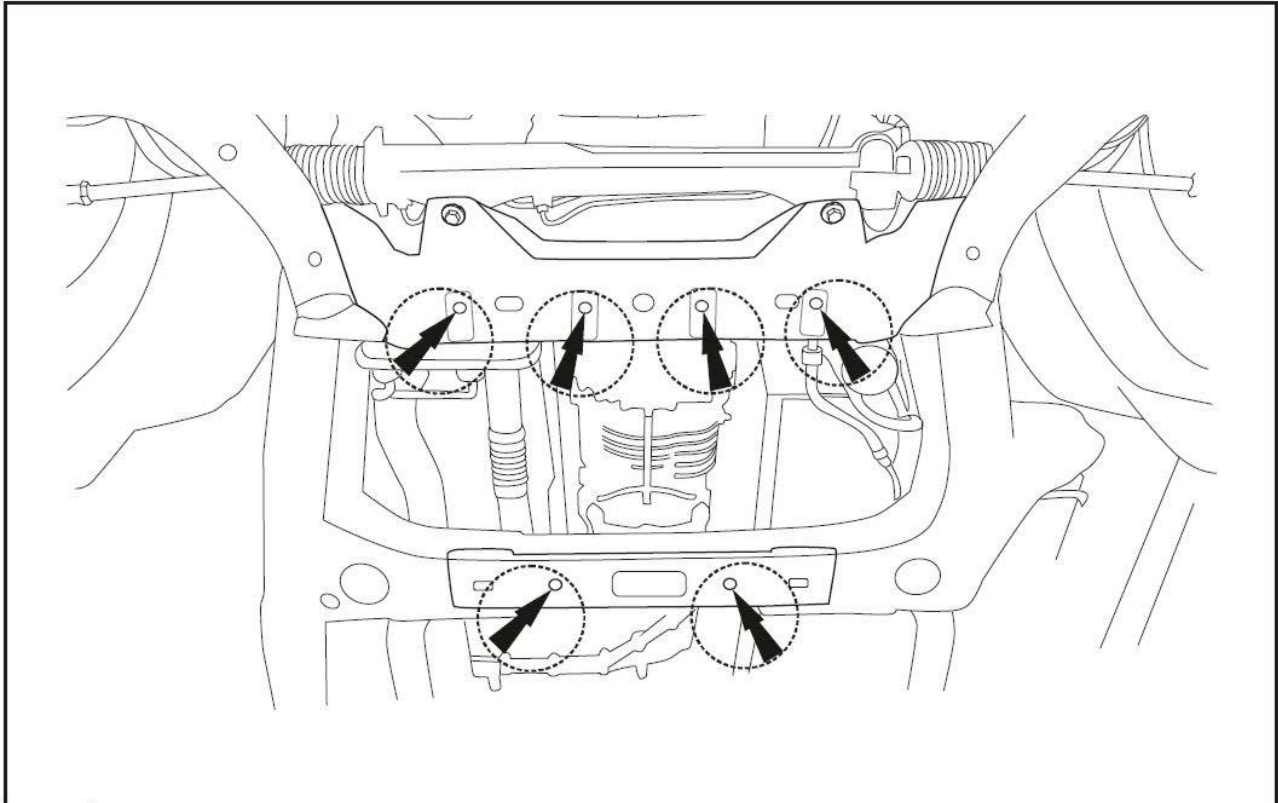


26.1948/26.1949

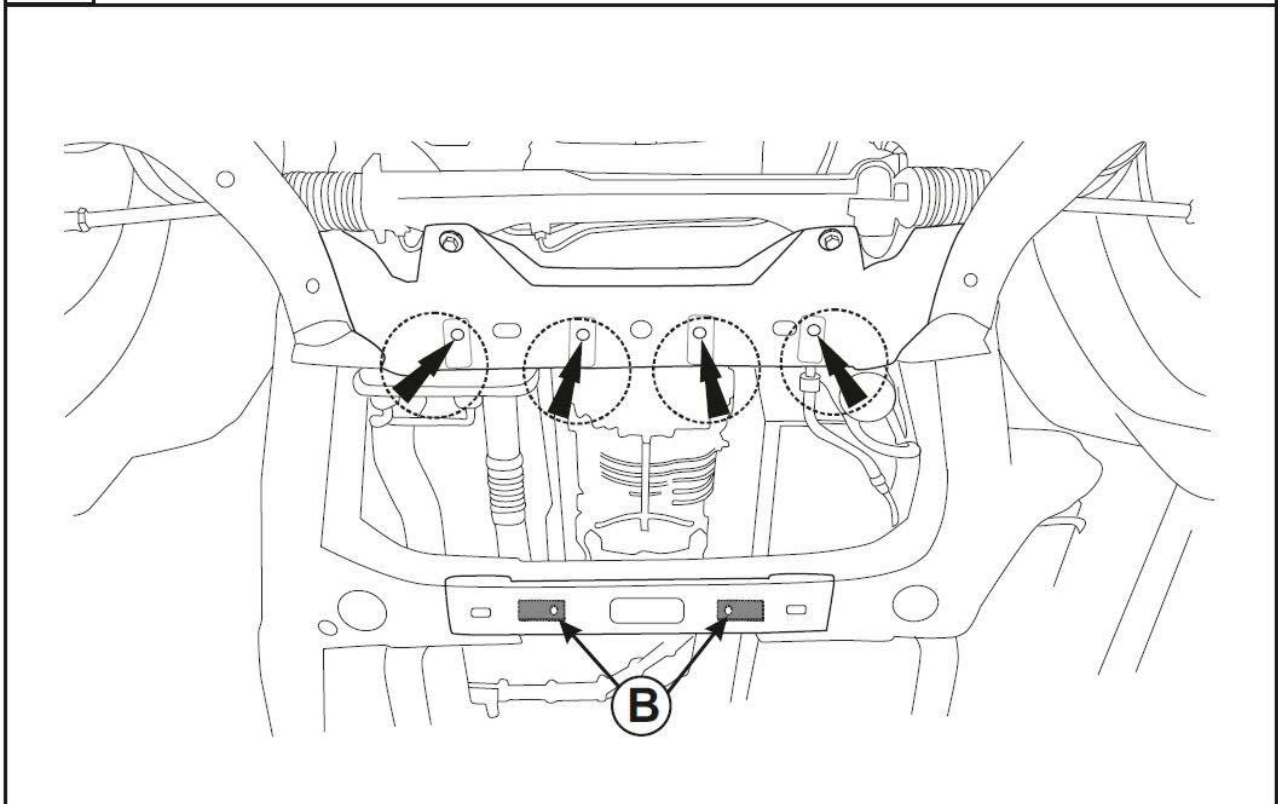
27/06/11

2/5

<p><b>A</b></p>			<p>1X</p>	
<p><b>B</b></p>		<p>2X</p>	<p><b>C</b></p>  <p>M8x30</p> <p>4X</p>	
<p><b>D</b></p>	 <p>M10x30</p>	<p>2X</p>	<p><b>E</b></p>  <p>Ø 10</p> <p>2X</p>	
<p><b>F</b></p>	 <p>Ø 8</p>	<p>4X</p>		
	<p>26.1948/26.1949</p>		<p>27/06/11</p>	<p>3/5</p>



1



2

26.1948/26.1949

27/06/11

4/5

